

" THE MATERIAL HEREIN IS FOR INFORMATION PURPOSES ONLY AND IS SUBJECT TO CHANGE WITHOUT NOTICE. DIGITAL EQUIPMENT CORPORATION ASSUMES NO RESPONSIBILITY FOR ANY ERRORS WHICH MAY APPEAR HEREIN."

# TABLE OF CONTENTS

THIS DRAWING AND THE SPECIFICATIONS CONTAINED HEREIN ARE CONFIDENTIAL AND PROPRIETARY. THEY ARE THE PROPERTY OF DIGITAL EQUIPMENT CORPORATION AND SHALL NOT BE REPRODUCED OR COPIED OR USED IN WHOLE OR IN PART AS THE BASIS FOR THE MANUFACTURE OR SALE OF ITEMS WITHOUT WRITTEN PERMISSION. THIS IS AN UNPUBLISHED WORK PROTECTED UNDER THE FEDERAL COPYRIGHT LAWS. © 1982

## FIELD MAINTENANCE PRINT SET

NOTE: THIS PRINT SET IS USED IN CONJUNCTION WITH MP-01061-00

UNIT VARIATIONS COVERED BY THIS PRINT SET
TA78-BF
TA78-BJ

FIELD MAINTENANCE  
PRINT SET

MP-01614

DIGITAL EQUIPMENT  
CORPORATION

REVISIONS	CHK	CHANGE NO.	REV.	INITIAL	A	USED ON OPTION/MODEL	DRN.	DATE	TITLE	SIZE	CODE	NUMBER	REV.
							J. AMIDIO	7/84					
CHK'D	DATE												
S. LUNKINS	7/84												
PROJ. ENG.	DATE												
S. LUNKINS	7/84												
FIELD SERV.	DATE												
B. STEERE	7/84												
SHEET 1 OF 2		DIST.											

digital

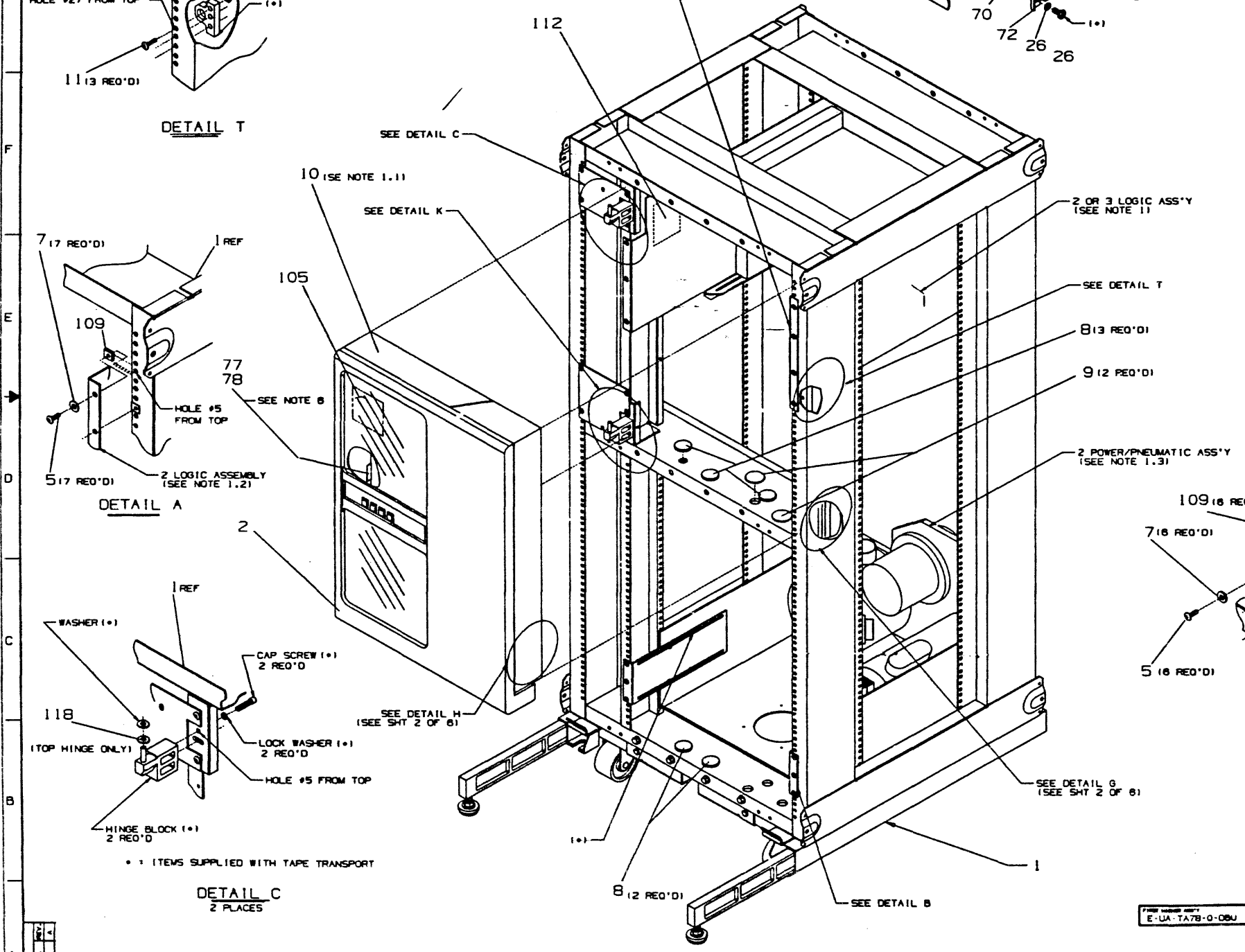
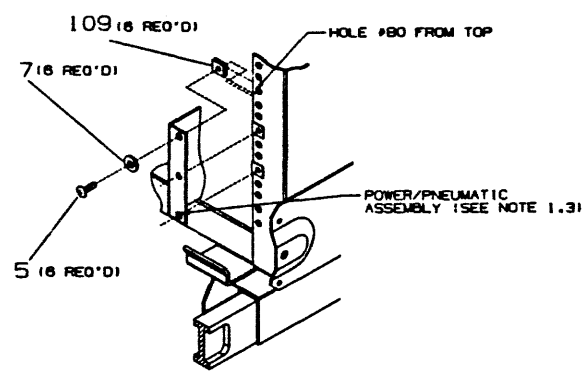
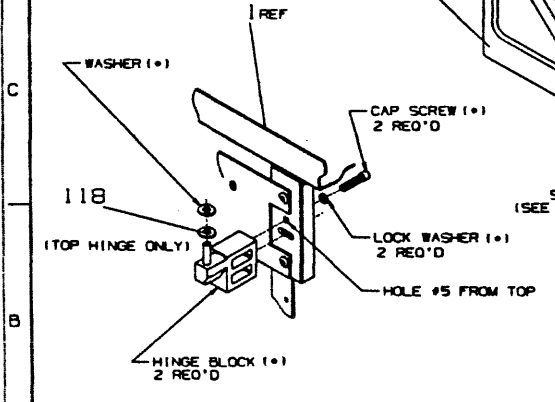
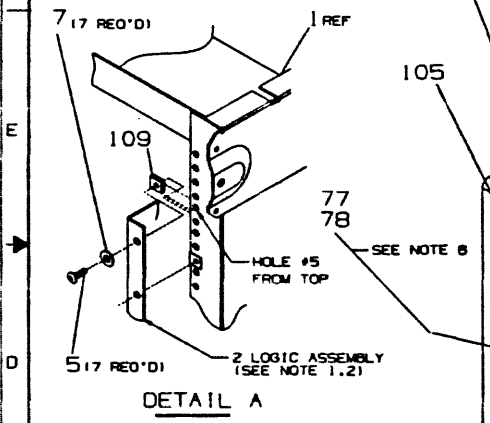
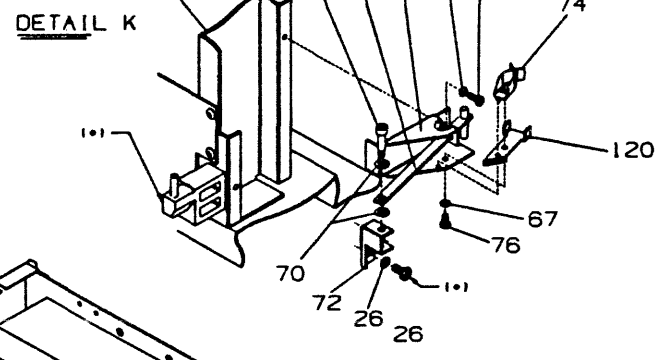
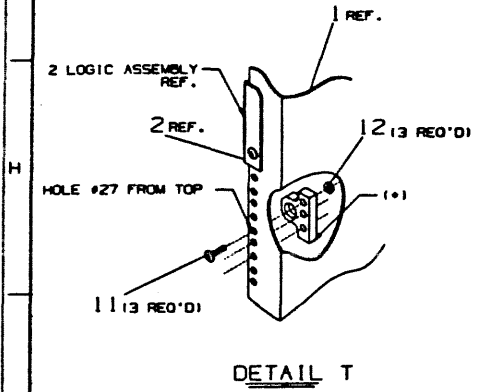
B-TC-TA78-0-1	TA78 TAPE DRIVE
E-UA-TA78-0-DBU	TA78 TAPE DRIVE
K-PL-TA78-0-DBP	TA78 TAPE DRIVE
D-CS-M8970-0-1	STI INTERFACE PROTOCOL MICRO
D-UA-M8970-0-0	STI INTERFACE PROTOCOL MICRO
K-PL-M8970-0-DBP	STI INTERFACE PROTOCOL MICRO
D-CS-M8971-0-1	STI INTERFACE BUS LOGIC
D-UA-M8971-0-0	STI INTERFACE BUS LOGIC
K-PL-M8971-0-DBP	STI INTERFACE BUS LOGIC
D-CS-M8972-0-1	8085 MICROCOMPUTER
D-UA-M8972-0-0	8085 MICROCOMPUTER
K-PL-M8972-0-DBP	8085 MICROCOMPUTER
D-CS-M8973-0-1	8085 EXT MEMORIC
D-UA-M8973-0-0	8085 EXT MEMORIC
K-PL-M8973-0-DBP	8085 EXT MEMORIC
E-1A-7020415-1-0	WIRED AND HARNESS ASSEMBLY
D-1A-7019745-0-DBU	SWITCH/BRACKET ASSEMBLY TA78
K-PL-7019745-0-DBP	SWITCH/BRACKET ASSEMBLY TA78

TITLE: TA78 MAINTENANCE PRINT SET	SHEET 2 OF 2	SIZE CODE <b>B</b> TC	NUMBER TA78-0-DBU	REV. A
--------------------------------------	--------------	--------------------------	----------------------	-----------

THIS DRAWING AND THE SPECIFICATION CONTAINING IT ARE UNCLASSIFIED EXCEPT WHERE SHOWN OTHERWISE. THIS DRAWING IS UNCLASSIFIED EXCEPT WHERE SHOWN OTHERWISE. THIS DRAWING IS UNCLASSIFIED EXCEPT WHERE SHOWN OTHERWISE.

LEGEND		
PART NO.	REV.	VARIATION
TA78-01	A1	AS SHOWN

- NOTES:**
- ITEM 2 OR 3 CONSISTS OF FIVE MAJOR ASSEMBLIES.
    - 1.1 TRANSPORT TAPE/FRONT PANEL ASSEMBLY.
    - 1.2 LOGIC ASSEMBLY.
    - 1.3 POWER/PNEUMATIC ASSEMBLY.
    - 1.4 AIR PRESSURE VALVE ASSEMBLY.
    - 1.5 MUFFLER ASSEMBLY.
    - 1.6 HEAT EXCHANGER ASSEMBLY.
  - ASSEMBLE POWER/PNEUMATIC ASSEMBLY INTO FRAME ASSEMBLY ITEM 1 PRIOR TO ANY OTHER ASSEMBLY TO MAINTAIN STABILITY. FOLLOWED BY LOGIC ASSEMBLY AND TRANSPORT TAPE/FRONT PANEL ASSEMBLY.
  - EXTENDED ARM STABILIZER ON RIGHT SIDE OF FRAME ASSEMBLY ITEM 1. ASSEMBLE STRIKE INTERLOCK ITEM 13 TO ROD INTERLOCK AS SHOWN. (SEE DETAIL "G")
  - REMOVE 1/4 TURN LATCH FROM PERTEC TRANSPORT TAPE ITEM 2 OR 3 AND INSTALL LATCH INTERLOCK ITEM 14 BETWEEN 1/4 TURN LATCH AND CASTING USING EXISTING HARDWARE AS SHOWN. (SEE DETAIL "H")
  - TORQUE REQUIREMENT PER ENG. SPEC. A-FS-7605328-0-0.
  - "SUPER BOND" (DEC NO. 4901157) USE A DROP IN EACH .093 HOLE (2) AFTER LOCATION OF INTERLOCK SWITCH BRACKET IS ESTABLISHED.

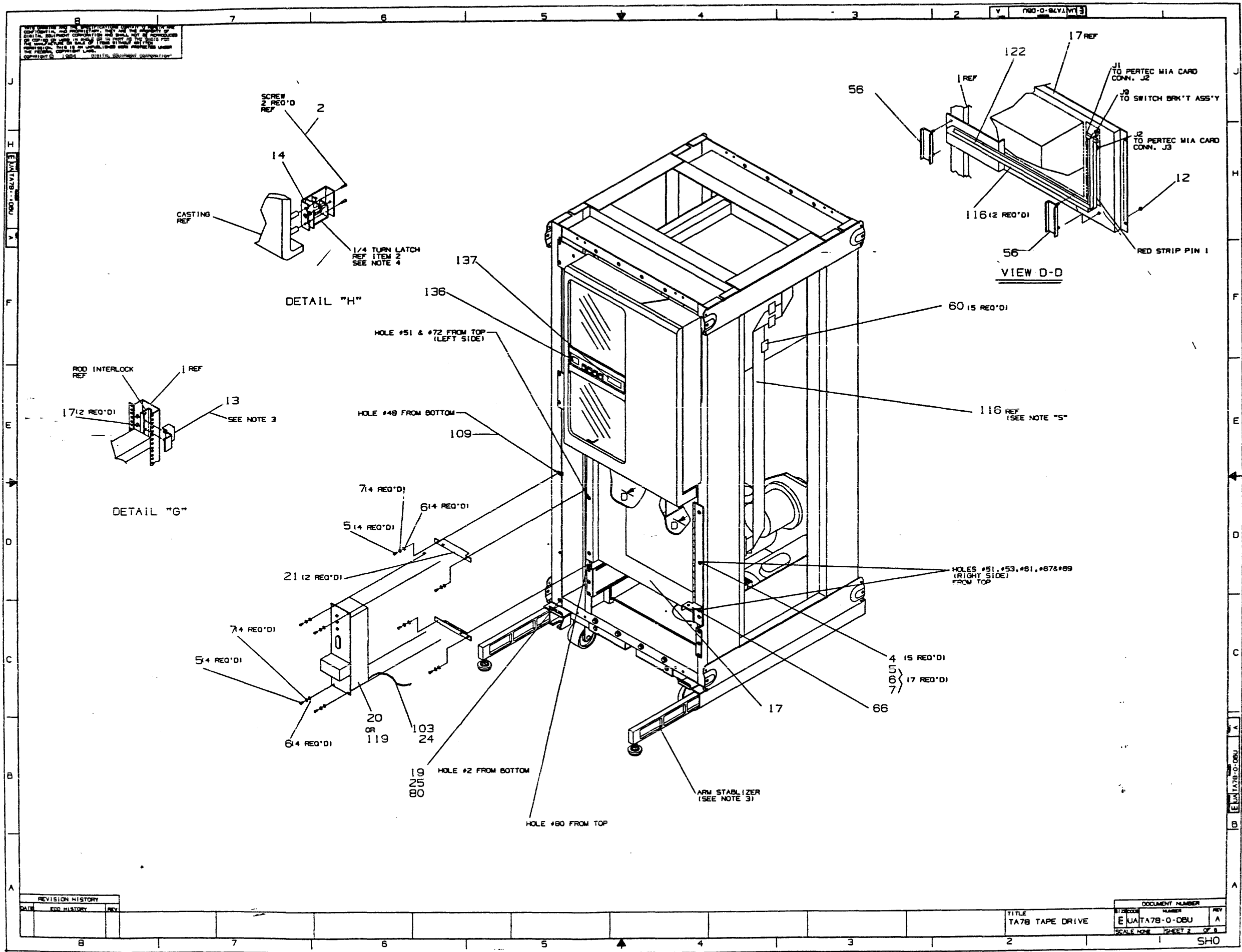


**DETAIL B**  
8 PLACES

**DETAIL C**  
2 PLACES

DESCRIPTION	DRAWING NO.	PART NO.	REV.																																				
UNLESS OTHERWISE SPECIFIED DIMENSIONS ARE IN INCHES AND THE FOLLOWING TOLERANCES APPLY (PER DEC STD 1141)																																							
DIMENSION RANGE IN INCHES																																							
0 - .25	±.005	.25 - .49	±.007																																				
.50 - .99	±.010	1.00 - 4.99	±.015																																				
5.00 - 9.99	±.020	10.00 - 49.99	±.030																																				
50.00 - 99.99	±.040	100.00 - 499.99	±.060																																				
500.00 - 999.99	±.080	1000.00 - 4999.99	±.120																																				
5000.00 - 9999.99	±.200																																						
<table border="1"> <tr> <th>REV.</th> <th>DATE</th> <th>BY</th> <th>CHKD.</th> <th>APP'D.</th> <th>TITLE</th> </tr> <tr> <td>1</td> <td>7/21/78</td> <td>S. LINSLEY</td> <td></td> <td></td> <td>TA78 TAPE DRIVE</td> </tr> <tr> <td>2</td> <td>8/27/78</td> <td>S. LINSLEY</td> <td></td> <td></td> <td></td> </tr> <tr> <td>3</td> <td>8/27/78</td> <td>M. GOSSETMAN</td> <td></td> <td></td> <td></td> </tr> <tr> <td>4</td> <td>8/27/78</td> <td>S. LINSLEY</td> <td></td> <td></td> <td></td> </tr> <tr> <td>5</td> <td>8/27/78</td> <td>M. GOSSETMAN</td> <td></td> <td></td> <td></td> </tr> </table>				REV.	DATE	BY	CHKD.	APP'D.	TITLE	1	7/21/78	S. LINSLEY			TA78 TAPE DRIVE	2	8/27/78	S. LINSLEY				3	8/27/78	M. GOSSETMAN				4	8/27/78	S. LINSLEY				5	8/27/78	M. GOSSETMAN			
REV.	DATE	BY	CHKD.	APP'D.	TITLE																																		
1	7/21/78	S. LINSLEY			TA78 TAPE DRIVE																																		
2	8/27/78	S. LINSLEY																																					
3	8/27/78	M. GOSSETMAN																																					
4	8/27/78	S. LINSLEY																																					
5	8/27/78	M. GOSSETMAN																																					
<table border="1"> <tr> <th>REV.</th> <th>DATE</th> <th>BY</th> <th>CHKD.</th> <th>APP'D.</th> <th>TITLE</th> </tr> <tr> <td>1</td> <td>7/21/78</td> <td>S. LINSLEY</td> <td></td> <td></td> <td>TA78 TAPE DRIVE</td> </tr> <tr> <td>2</td> <td>8/27/78</td> <td>S. LINSLEY</td> <td></td> <td></td> <td></td> </tr> <tr> <td>3</td> <td>8/27/78</td> <td>M. GOSSETMAN</td> <td></td> <td></td> <td></td> </tr> <tr> <td>4</td> <td>8/27/78</td> <td>S. LINSLEY</td> <td></td> <td></td> <td></td> </tr> <tr> <td>5</td> <td>8/27/78</td> <td>M. GOSSETMAN</td> <td></td> <td></td> <td></td> </tr> </table>				REV.	DATE	BY	CHKD.	APP'D.	TITLE	1	7/21/78	S. LINSLEY			TA78 TAPE DRIVE	2	8/27/78	S. LINSLEY				3	8/27/78	M. GOSSETMAN				4	8/27/78	S. LINSLEY				5	8/27/78	M. GOSSETMAN			
REV.	DATE	BY	CHKD.	APP'D.	TITLE																																		
1	7/21/78	S. LINSLEY			TA78 TAPE DRIVE																																		
2	8/27/78	S. LINSLEY																																					
3	8/27/78	M. GOSSETMAN																																					
4	8/27/78	S. LINSLEY																																					
5	8/27/78	M. GOSSETMAN																																					
<table border="1"> <tr> <th>REV.</th> <th>DATE</th> <th>BY</th> <th>CHKD.</th> <th>APP'D.</th> <th>TITLE</th> </tr> <tr> <td>1</td> <td>7/21/78</td> <td>S. LINSLEY</td> <td></td> <td></td> <td>TA78 TAPE DRIVE</td> </tr> <tr> <td>2</td> <td>8/27/78</td> <td>S. LINSLEY</td> <td></td> <td></td> <td></td> </tr> <tr> <td>3</td> <td>8/27/78</td> <td>M. GOSSETMAN</td> <td></td> <td></td> <td></td> </tr> <tr> <td>4</td> <td>8/27/78</td> <td>S. LINSLEY</td> <td></td> <td></td> <td></td> </tr> <tr> <td>5</td> <td>8/27/78</td> <td>M. GOSSETMAN</td> <td></td> <td></td> <td></td> </tr> </table>				REV.	DATE	BY	CHKD.	APP'D.	TITLE	1	7/21/78	S. LINSLEY			TA78 TAPE DRIVE	2	8/27/78	S. LINSLEY				3	8/27/78	M. GOSSETMAN				4	8/27/78	S. LINSLEY				5	8/27/78	M. GOSSETMAN			
REV.	DATE	BY	CHKD.	APP'D.	TITLE																																		
1	7/21/78	S. LINSLEY			TA78 TAPE DRIVE																																		
2	8/27/78	S. LINSLEY																																					
3	8/27/78	M. GOSSETMAN																																					
4	8/27/78	S. LINSLEY																																					
5	8/27/78	M. GOSSETMAN																																					
<table border="1"> <tr> <th>REV.</th> <th>DATE</th> <th>BY</th> <th>CHKD.</th> <th>APP'D.</th> <th>TITLE</th> </tr> <tr> <td>1</td> <td>7/21/78</td> <td>S. LINSLEY</td> <td></td> <td></td> <td>TA78 TAPE DRIVE</td> </tr> <tr> <td>2</td> <td>8/27/78</td> <td>S. LINSLEY</td> <td></td> <td></td> <td></td> </tr> <tr> <td>3</td> <td>8/27/78</td> <td>M. GOSSETMAN</td> <td></td> <td></td> <td></td> </tr> <tr> <td>4</td> <td>8/27/78</td> <td>S. LINSLEY</td> <td></td> <td></td> <td></td> </tr> <tr> <td>5</td> <td>8/27/78</td> <td>M. GOSSETMAN</td> <td></td> <td></td> <td></td> </tr> </table>				REV.	DATE	BY	CHKD.	APP'D.	TITLE	1	7/21/78	S. LINSLEY			TA78 TAPE DRIVE	2	8/27/78	S. LINSLEY				3	8/27/78	M. GOSSETMAN				4	8/27/78	S. LINSLEY				5	8/27/78	M. GOSSETMAN			
REV.	DATE	BY	CHKD.	APP'D.	TITLE																																		
1	7/21/78	S. LINSLEY			TA78 TAPE DRIVE																																		
2	8/27/78	S. LINSLEY																																					
3	8/27/78	M. GOSSETMAN																																					
4	8/27/78	S. LINSLEY																																					
5	8/27/78	M. GOSSETMAN																																					

E-LA-TA78-0-DBU



REVISION HISTORY		
DATE	REQ. HISTORY	REV.

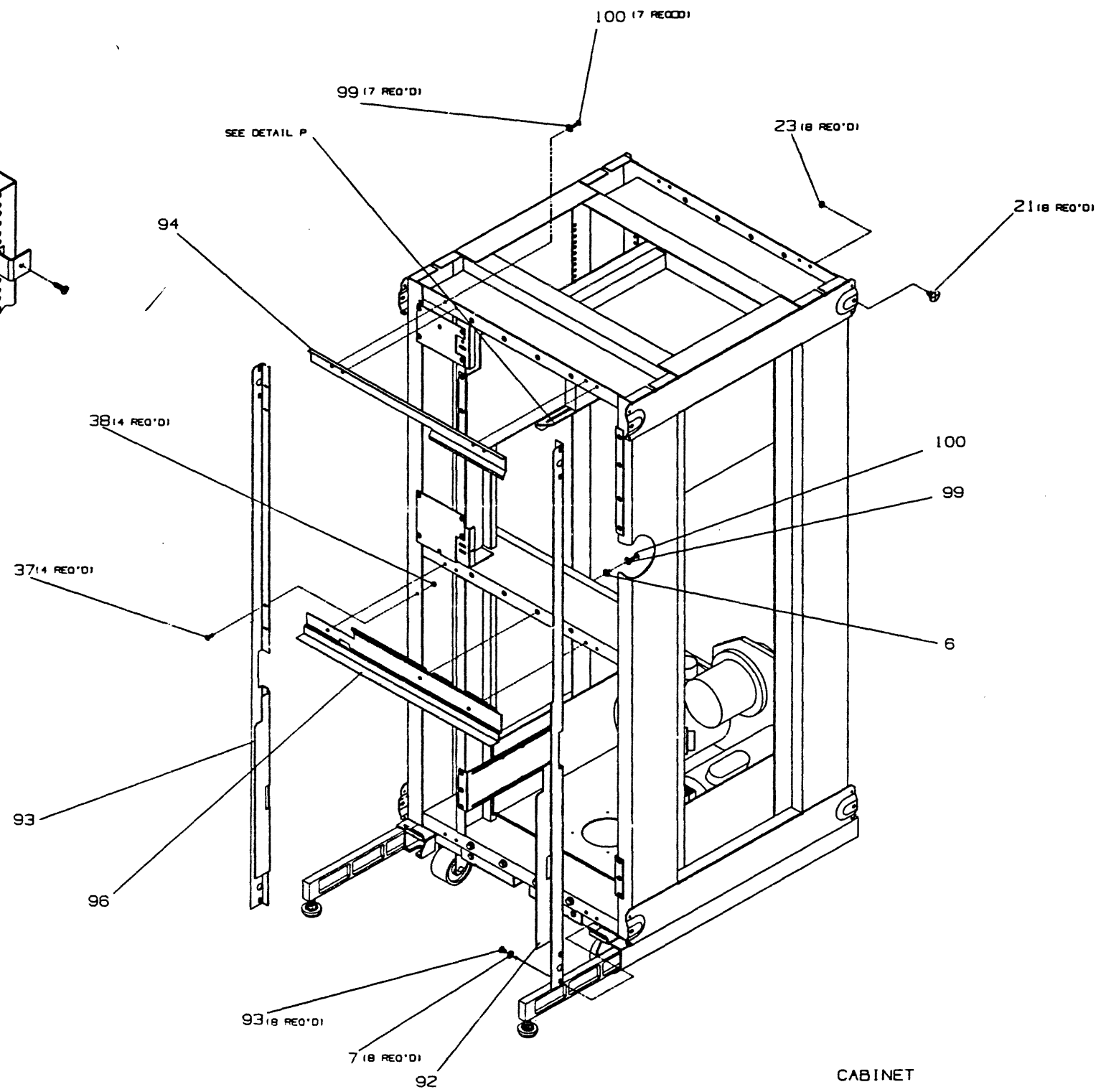
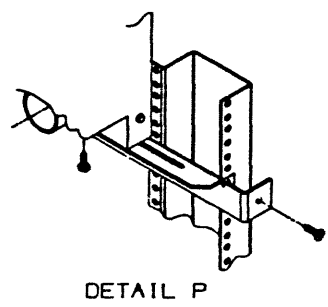
TITLE  
 TA78 TAPE DRIVE

DOCUMENT NUMBER  
 EJA TA78-0-0BU

SCALE NONE SHEET 2 OF 3

SHO

Copyright © 1978 by Lockheed Martin Corporation. All rights reserved. This drawing is the property of Lockheed Martin Corporation. It is to be used for the purpose specified and is not to be reproduced, stored in a retrieval system, or transmitted in any form or by any means, electronic, mechanical, photocopying, recording, or by any information storage and retrieval system, without the prior written permission of Lockheed Martin Corporation.



CABINET  
FRONT VIEW

REVISION HISTORY		
DATE	REV. HISTORY	REV.

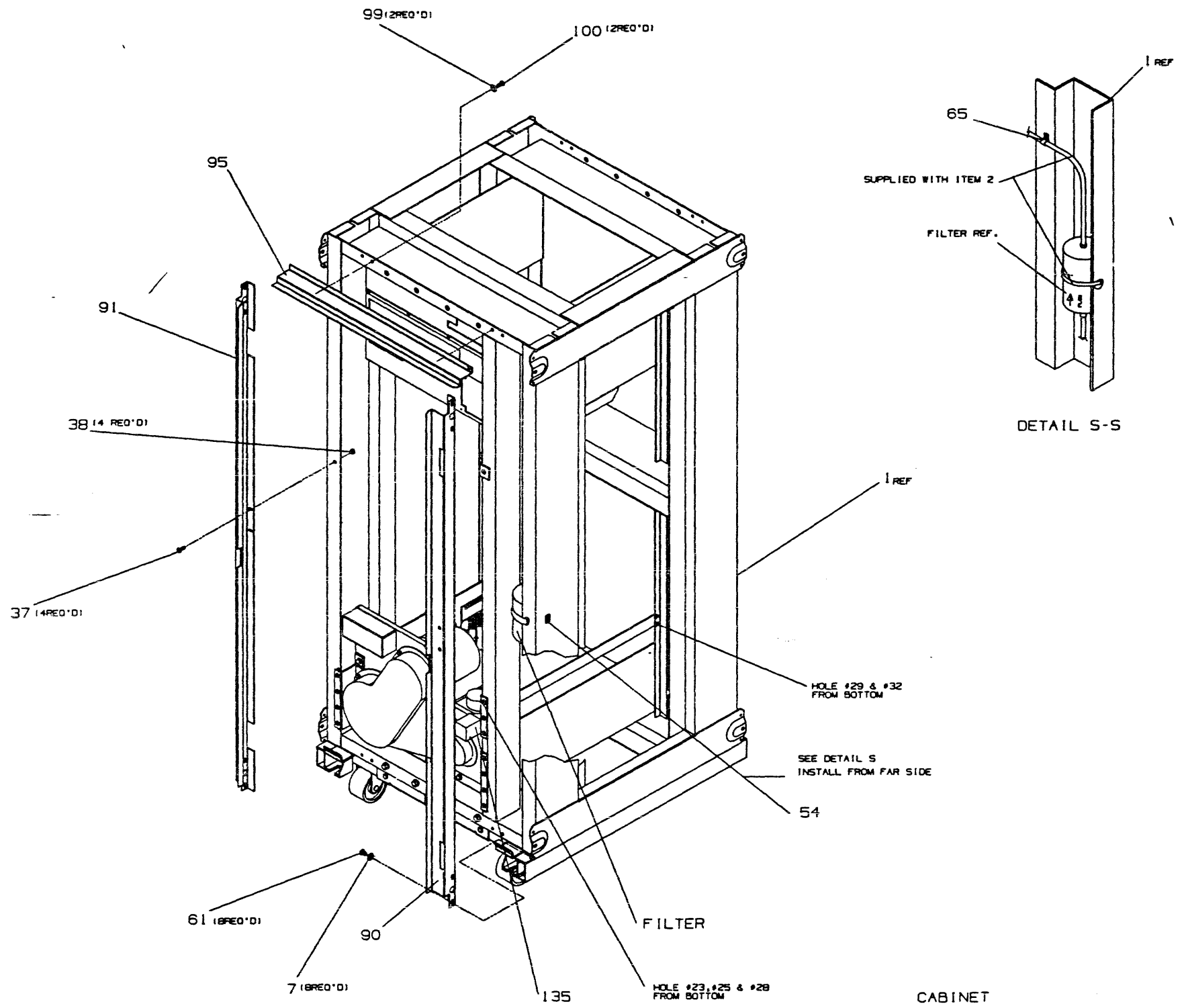
TITLE  
TA78 TAPE DRIVE

DOCUMENT NUMBER		
FIGURE NUMBER	REV.	REV.
EJATA78-0-DBU	A	
SCALE: AS SHOWN	SHEET 7	OF 8

SHO

ALL DIMENSIONS AND SPECIFICATIONS ARE TO BE TAKEN FROM THE DRAWING UNLESS OTHERWISE SPECIFIED. THE DRAWING IS THE PROPERTY OF THE COMPANY AND IS NOT TO BE REPRODUCED OR COPIED IN ANY MANNER WITHOUT THE WRITTEN PERMISSION OF THE COMPANY. THIS DRAWING IS NOT TO BE USED FOR ANY OTHER PURPOSE THAN THAT FOR WHICH IT WAS PREPARED. COMPANY NAME: [REDACTED]

790-0-82V1 (REV 3)



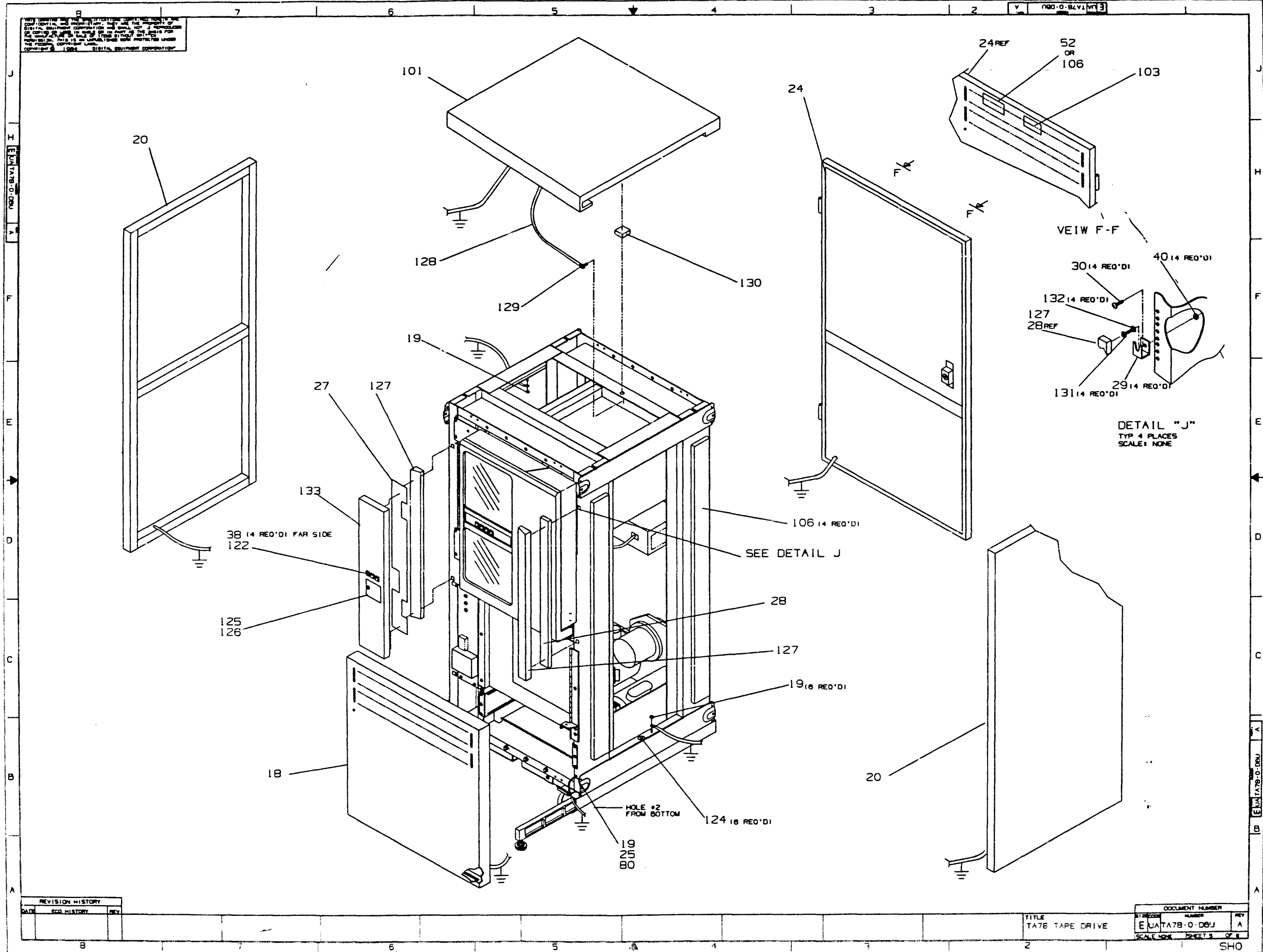
REVISION HISTORY		
DATE	REV	DESCRIPTION

DOCUMENT NUMBER		SCALE	
NUMBER	REV	SCALE	REV
EUA7A78-0-DBU	A	AS SHOWN	

TITLE  
TA78 TAPE DRIVE

SHO

THIS DRAWING AND THE INFORMATION CONTAINED HEREIN ARE CONFIDENTIAL AND UNCLASSIFIED. They are the property of Delta Equipment Corporation and shall not be reproduced, stored in a retrieval system, or transmitted in any form or by any means, electronic, mechanical, photocopying, recording, or by any information storage and retrieval system, without the prior written permission of Delta Equipment Corporation. Copyright © 1984, Delta Equipment Corporation.



DETAIL "J"  
TYP 4 PLACES  
SCALE: NONE

REVISION HISTORY		
DATE	REV. HISTORY	REV.

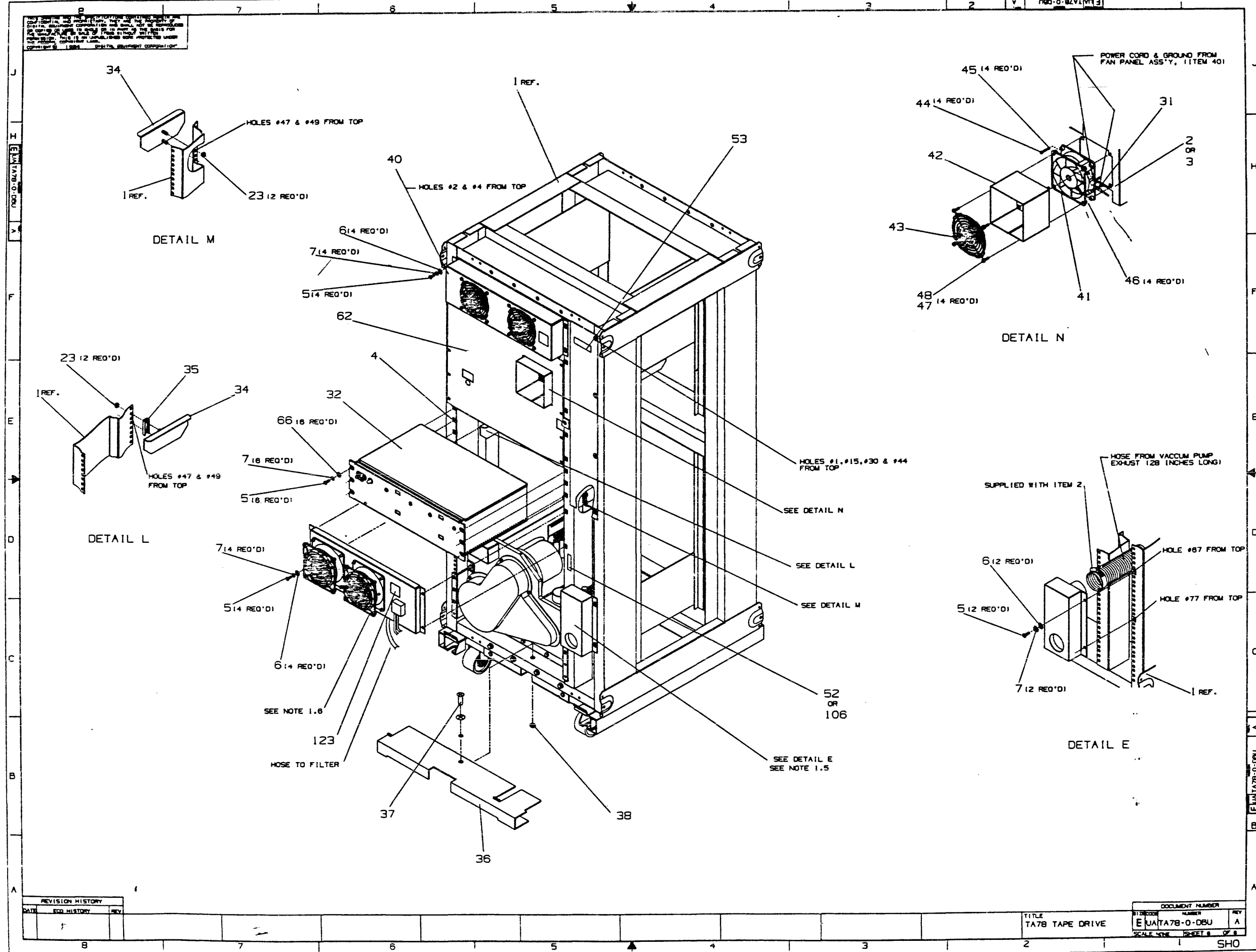
TITLE  
TA7B TAPE DRIVE

DOCUMENT NUMBER		
ST. NO.	NUMBER	REV.
	EUA7A7B-0-00J	A

SCALE: NONE SHEET 5 OF 8

SHO

NOT TO SCALE  
 THE DIMENSIONS SHOWN ON THIS DRAWING ARE THE DIMENSIONS OF THE PARTS AND NOT THE DIMENSIONS OF THE ASSEMBLY. THE DIMENSIONS OF THE ASSEMBLY ARE SHOWN IN PARENTHESES. THE DIMENSIONS OF THE PARTS ARE SHOWN IN BRACKETS. THE DIMENSIONS OF THE ASSEMBLY ARE SHOWN IN PARENTHESES. THE DIMENSIONS OF THE PARTS ARE SHOWN IN BRACKETS.



REVISION HISTORY		
DATE	REV	DESCRIPTION
	1	

TITLE		DOCUMENT NUMBER	
TA78 TAPE DRIVE		E UAT78-0-DBU	
SCALE	SHEET	REV	OF
1:1	1	A	1

SHO



LINE	ITEM	TOP DOCUMENT	PART NUMBER	MIN REV	DESCRIPTION	QTY PER VARIATION	
						BF	BJ
					VARIATION REVISION LEVEL:	N/A	N/A
1	1	E-AD-7011588-0-0	7011588-09		FRAME ASSY SINGLE HIBOY	1	1
2	2	A-PS-3017189-0-0	3017189-00		TAPE TRANSPORT, TU78 9TRK	1	1
3	3	E-AD-2200020-0-0	2200020-16		TU78 50HZ 0-2KFT ALT. KIT	-	1
4	4		9007786-00		RETAINER, U-NUT 10-32X	5	5
5	5		9006074-03		SCREW, MACH TRUSS PHIL 10-	62	62
6	6		9006668-00		WASHER, FLAT SST	47	47
7	7		9007651-00		WASHER, LOCK EXTERNAL STEEL	89	89
8	8		9007060-00		PLUG, BUTTON 0.500HOLE BRASS	5	5
9	9		9007062-00		PLUG, BUTTON 0.625HOLE BRASS	2	2
10	10	A-PS-1214405-0-0	1214405-00		DOOR, TAPE TRANSPORT, FRONT, NORYL,	1	1
11	11		9006075-03		SCREW, MACH TRUSS PHIL 10-	14	14
12	12		9006565-00		NUT, HEX EXT TOOTH/LCKWSHR 10-32	12	12
13	13	C-IA-7419081-0-0	7419081-00		STRIKE INTERLOCK	1	1
14	14	C-MD-7419082-0-0	7419082-00		LATCH INTERLOCK	1	1
15	15	SEE NOTE 1	00874-E		220-240V 24A FILTERED PWR CONT, 6	1	1
16	16	C-IA-7423395-0-0	7423395-00		BKT SUPPORT	2	2
17	17		TS78 -BB		DUAL ACCESS STI GCR, PE FORMATTER	1	1
18	18	D-IA-7017557-0-0	7017557-00		COVER ASSY FRONT WITH FOAM	1	1
19	19		9008203-01		NUT, HEX EXT TOOTH LCKWSHR 1/4-20	6	6
20	20	E-IA-7011509-0-0	7011509-00		END PANEL ASSY HIBOY	2	2
21	21	C-MD-7414318-0-0	7414318-00		KEY BUTTON	8	8
22	22	SEE NOTE 2	9006676-00		WASHER, FLAT SST	8	8
23	23		9007897-00		NUT, HEX EXT TOOTH LOCKWSHR 1/4-20	4	4
24	24	E-IA-7014175-0-0	7014175-01		DOOR ASSY REAR (SINGLE HIBOY)	1	1
25	25		9006056-01		SCREW, MACH PAN PHIL 1/4-	3	3
26	26		9007797-00		WASHER, HELICAL SPLIT SST	6	6
27	27	C-MD-7422571-0-0	7422571-00		FILLER DECORATIVE	1	1
28	28	C-MD-7422930-0-0	7422930-00		RT SIDE DECSTRIP	1	1
29	29	B-MD-7422258-0-0	7422258-00		CLIP	4	4
30	30		9006024-03		SCREW, MACH TRUSS PHIL 6-	4	4

REVISION HISTORY		BASIC PART NO: TA78		DRN: J. AMIDIO	DATE: 05-JUL-84	D I G I T A L	
ENG	ECO NUMBER	REV	SECTION A OF A	CHK'D: S. LUNKINS	DATE: 02-OCT-84	TITLE PARTS LIST TA78 TAPE DRIVE	
---	INITIAL	A	SECTION VARIATION INDEX [A]BF, BJ	DES. ENG: D. CHRISTMAN	DATE: 02-OCT-84	DOCUMENT NUMBER	
			[B]	RESP. ENG.: S. LUNKINS	DATE: 02-OCT-84	SIZE	CODE
			[C]	MFG. ENG.: M. RICCITELLI	DATE: 02-OCT-84	NUMBER	REV
			[D]	ASSEMBLY NUMBER: E-UA-TA78-0-0	TOP DOCUMENT NUMBER:	K	PL
			[E]		FILE NAME:	TA78-0-DBP	A
			[F]		RELEASE DATE: 03-OCT-84	SH102A.PLS	21

"THIS DRAWING AND THE SPECIFICATIONS CONTAINED HEREIN ARE CONFIDENTIAL AND PROPRIETARY. THEY ARE THE PROPERTY OF DIGITAL EQUIPMENT CORPORATION AND SHALL NOT BE REPRODUCED OR COPIED OR USED IN WHOLE OR IN PART AS THE BASIS FOR THE MANUFACTURE OR SALE OF ITEMS WITHOUT WRITTEN PERMISSION. THIS IS AN UNPUBLISHED WORK PROTECTED UNDER THE FEDERAL COPYRIGHT LAWS."

LINE	ITEM	TOP DOCUMENT	PART NUMBER	MIN REV	DESCRIPTION	QTY PER VARIATION	
						BF	BJ
						N/A	N/A
31	31		9006560-00		NUT,HEX EXT TOOTH LCKWSHR 6-32	45	54
32	32	C-IA-7017121-0-1	7017121-01		TM78 POWER SUPPLY (240V)	1	1
33	33	A-PS-1212972-0-0	1212972-02		SPRING,RECEPTACLE 1.04 WDX1.5	1	1
34	34	C-IA-7423394-0-0	7423394-00		P/S SUPPORT	2	2
35	35	C-MD-7423396-0-0	7423396-00		SPACER SUPPORT	1	1
36	36	D-IA-7422948-0-0	7422948-00		SAFETY FLOOR EXTN	1	1
37	37		9006039-03		SCREW,MACH TRUSS PHIL 8-	5	5
38	38		9006563-00		NUT,HEX EXT TOOTH LCKWSHR 8-32	9	9
39	39		9006370-08		SCREW,CAP SOC HEX 1/4-	4	4
40	40	E-AD-7017143-0-0	7017143-00		FAN ASSEMBLY TU78	1	1
41	41	A-PS-1217916-0-0	1217916-02		FAN,TUBE AXIAL 4.5" 120CFM 230V	1	1
42	42	D-MD-7423407-0-0	7423407-00		AIR DUCT	1	1
43	43	A-PS-1210263-0-0	1210263-00		GUARD,FINGER 4.125 X 4.125 MTG H	1	1
44	44		9006331-08		SCREW,CAP SOC HEX 6-	4	4
45	45		9007801-00		WASHER,HELICAL SPLIT SST	4	4
46	46		9009165-00		CLIP, FAN MOUNTING (12-05033 FAN	4	4
47	47		9006659-00		WASHER,FLAT S/PAS	5	5
48	48		9006026-01		SCREW,MACH PAN PHIL 6-	4	4
49	49	SEE NOTE 2	BC26V-25		SI CABLE,25FT,4 COAX SHIELDED	2	2
50	50	C-MD-7423392-0-0	7423392-00		STOP FORMATTER	1	1
51	51		7414213-00		STICKER VT50 UL	0	1
52	52	A-PS-3617674-0-0	3617674-01		LABEL,SERIAL/POWER W UL & CSA	2	-
53	53	A-PS-3615710-0-0	3615710-00		LABEL,PAPER FORM FEED	1	1
54	54		9007867-00		MOUNT, PUSH,CABLE TIE	15	15
55	55		9007032-00		TIE,CABLE BUNDL.DIA 0-1-3/4"=101	23	23
56	56	C-IA-7423398-0-0	7423398-00		C/CABLE	2	2
57	57	C-MD-7423397-0-0	7423397-00		GUARD CABLE	1	1
58	58	D-IA-7017381-0-0	7017381-07		FLAT CABLE ASSY	REF	REF
59	59		9008203-00		NUT,HEX EXT TOOTH LCKWSHR 1/4-20	8	8
60	60		9009636-00		CLAMP, CABLE, FOR FLAT CABLE	9	9
61	61		9006071-03		SCREW,MACH TRUSS PHIL 10-	15	15
62	62	D-IA-7017558-0-0	7017558-00		PANEL ASSY REAR WITH FOAM	1	1
63	63	D-IA-7017559-0-0	7017559-00		BAFFLE ASSY REAR WITH FOAM	1	1
64	64	C-IA-7415578-0-0	7415578-00		GROUND STRAP	1	1
65	65		9007089-00		CLAMP,CABLE,SCREW MTD. 3/4 "	1	1
66	66		9006664-00		WASHER,FLAT SST	7	7
67	67	A-PS-1217720-0-0	1217720-03		FOAM,ACOUSTIC,ADH BACK,48.0X4.0X	4	4
68	68		9007906-00		WASHER,HELICAL SPLIT STEEL	1	1
69	69		7424633-00		BAR,SLIDE ASSY	1	1
70	70		7424634-00		BRKT,DOOR PIVOT	1	1
71	71		7424635-00		BRKT,FRAME DOOR	1	1
72	72		9006714-00		WASHER,FLAT NYLON	2	2
73	73	A-PS-1217875-0-0	1217875-00		SCREW,SHLD CAP SOC 10-	1	1
74	74		9006073-01		SCREW,MACH PAN PHIL 10-	2	2
75	75		9010251-00		LOCK,SPRING	1	1
76	76		9008010-01		SCREW,MACH PAN PHIL 10-	1	1
77	77		7424075-00		BRACKET, SAFETY INTERLOCK SW.	1	1
78	78		4901157-00		ADHESIVE,ACRYLIC RESIN,ETHYL CYA	A/R	A/R

D	I	G	I	T	A	L	TITLE	SECTION A	OF A	SIZE	CODE	DOCUMENT NUMBER	REV
							TA78 TAPE DRIVE			K	PL	TA78-0-DBP	A

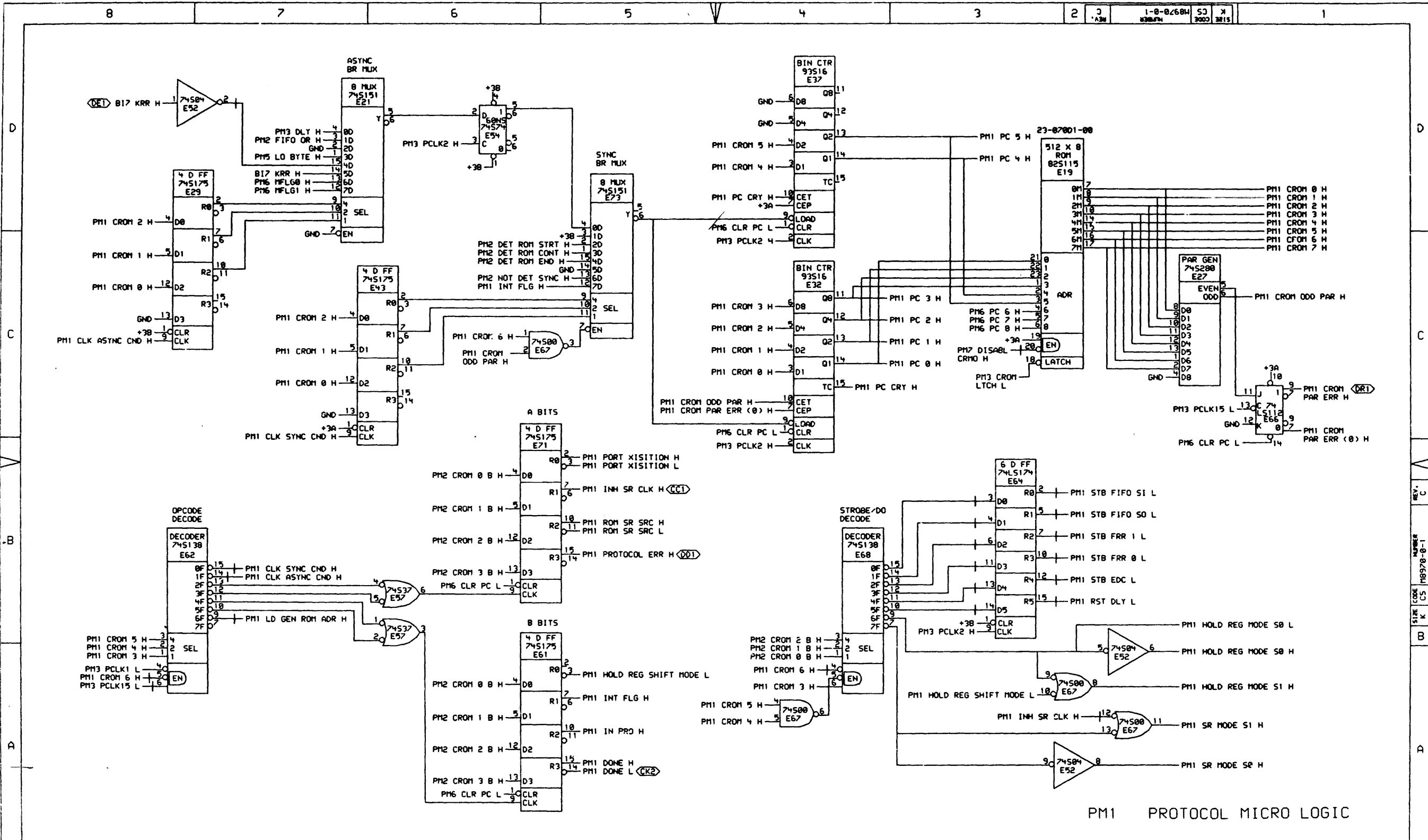
LINE	ITEM	TOP DOCUMENT	PART NUMBER	MIN REV	DESCRIPTION	QTY PER VARIATION	
						BF	BJ
						VARIATION REVISION LEVEL:	
						N/A	N/A
79	79	SEE NOTE 2	1218197-00		SCREW,THUMB CAP SOC 1/4-20	4	4
80	80	SEE NOTE 2	9006724-00		WASHER,LOCK EXTERNAL STEEL	1	1
81	81	SEE NOTE 2	2200011-00		CLEANING KIT,DEC MAGTAPE	1	1
82	82	SEE NOTE 2	3018709-08		TAPE,MAGNETIC .5"2400'TAPE SEAL	1	1
83	83	SEE NOTE 2	1700199-04		PWR CORD,TERM 3-1.5 MM 250	1	1
84	84	SEE NOTE 2	EK0TA78-UG		TA78 MAGNETIC TAPE DRIVE USERS G	1	1
85	85	A-PS-3617878-0-0	3617878-01		LABEL,MID REEL LOAD	1	1
86	86	A-PS-3618036-0-0	3618036-01		LABEL,FOUR LANGUAGES	1	1
87	87	SEE NOTE 2	9009025-00		WASHER,FLAT SST	4	4
88	88	SEE NOTE 2	3616378-00		LABEL, INDENT. "47-00038	1	1
89	89	A-PS-3618429-0-0	3618429-01		LABEL,TAPE THREAD'G INSTRUCTIONS	1	1
90	90	E-MD-7425628-0-0	7425628-00		SEAL,REAR DOOR EM1	1	1
91	91	E-MD-7425628-0-1	7425628-01		SEAL,REAR DOOR,EM1	1	1
92	92	E-MD-7425629-0-0	7425629-00		SEAL,FRONT COVER EM1	1	1
93	93	E-MD-7425629-0-1	7425629-01		SEAL,FRONT COVER,EM1	1	1
94	94	E-MD-7425631-0-0	7425631-00		SEAL,FRONT TOP EM1	1	1
95	95	E-MD-7425632-0-0	7425632-00		SEAL, TOP COVER REAR EM1	1	1
96	96	E-MD-7425633-0-0	7425633-00		SEAL,FRONT CAB CENTER EM1	1	1
97	97		9007035-00		GROMMET,CATERPILLAR POLYAMIDE	1	1
98	98		9006073-03		SCREW,MACH TRUSS PHIL 10-	1	1
99	99		9007649-00		WASHER,LOCK EXTERNAL STEEL	9	9
100	100		9006021-03		SCREW,MACH TRUSS PHIL 6-	9	9
101	101		7018620-00		TOP COVER (REWORK EMT)	1	1
102	102	SEE NOTE 2	3618307-05		ASSY,04,01	1	-
103	103	A-PS-3617880-0-0	3617880-03		LABEL,FCC,CLASS A,PERIPHERAL	1	-
104	104	SEE NOTE 2	9905734-01		STRAPPING,POLYESTER	A/R	A/R
105	105		3618694-01		LABEL,ATTENTION ALTI.RANGE TU78	1	1
106	106		3617674-00		LABEL,SERIAL/POWER W/O UL + CSA	-	2
107	107		9009617-00		TIE,CABLE BUNDL.DIA 0-3"TYPE=101	5	5
108	108		9007786-01		RETAINER,U-NUT 10-32X	58	58
109	109		9009357-00		TAPE,MASKING ADH 2.0 WDX .00	A/R	A/R
110	110		9009341-00		TAPE,MASKING ADH 1.0 WDX .00	A/R	A/R
111	111		3618844-01		LABEL,SERVICE TU78	1	1
112	112		9006072-03		SCREW,MACH TRUSS PHIL 10-	1	1
113	113	A-PS-3700690-0-0	3700690-02		PKG CABINET H9600 MAGTAPE SERIES	1	1
114	114		BC06R-08		BC06R I/O CABLE	2	2
115	115		9007086-00		CLAMP,CABLE,SCREW MTD. 9/16"	1	1
116	116		9008415-00		WASHER,FLAT SST	3	3
117	117	SEE NOTE 1	00872-E		240V 24A FILTERED POWER CONTROL	1	1
118	118		7426633-01		SPRING,RETAINER	1	1
119	119		TA78 -BF		STI DUAL ACCESS MASTER TU78: TU7	REF	REF
120	120		7019745-00		BRKT/SWITCH ASSY	1	1
121	121		3610267-00		LABEL,DANGER HIGH VOLTAGE,SMOOTH	1	1
122	122		3612680-00		DECAL, GROUND SIGN PER 3E6 *	7	7
123	123		1215726-04		FASTENER,1/4 TURN HEX	1	1
124	124		1215728-00		FASTENER,STANDARD SNAP RING	1	1
125	125		1212964-03		MOLDING,TRIM STRIP 26"W/FINISH	2	2
126	126		1212907-00		CABLE ASSY,NYLON,6"LG,UNCRIMPED	1	1

D	I	G	I	T	A	L	TITLE	SECTION A	OF	A	SIZE	CODE	DOCUMENT NUMBER	REV
							TA78 TAPE DRIVE				K	PL	TA78-0-DBP	A

LINE	ITEM	TOP DOCUMENT	PART NUMBER	MIN REV	DESCRIPTION	QTY PER VARIATION	
						BF	BJ
						VARIATION REVISION LEVEL:	
						N/A	N/A
127	127		9009157-00		ADH, LIQ. RM. TEMP CURING COLORLESS	A/R	A/R
128	128		9008264-00		MOUNT, CABLE TIE, ADHESIVE BACKE	8	8
129	129		9008079-00		WASHER, FLAT FIBRE	4	4
130	130		9010116-00		SCREW, TAP TRUSS PHIL THD RL 6-	4	4
131	131		7019747-00		PANEL (WELDMENT)	1	1
132	132	SEE NOTE 2	9905016-10		CARTON, DIE CUT, W/O FOAM, C, 275SW	1	1
133	133	SEE NOTE 2	3621039-01		LABEL, TA78 NUMBERS	1	1
134	134		3621228-01		LABEL, MODE TA78	1	1
135	135		3621229-01		LABEL, LOGO TA78	1	1
136	136		9006633-00		WASHER, LOCK INTERNAL STEEL	1	1
137	137		9007083-00		CLAMP, CABLE, SCREW MTD. 3/8 "	1	1
138	138	SEE NOTE 2	9007600-00		FOOT, LEVELER, CUSHION, 1/2-13,	4	4
139	139	SEE NOTE 2	MP01614-00		F.M.P.S. TA78	1	1
140	140	SEE NOTE 2	MP01061-00		F.M.P.S. TU78-0	1	1
141	141		7021760-01		STI CABLE ASSY	1	1
142	142		9000049-23		SCREW, SEMS PAN PHIL 6-	2	2

143 NOTE: 1 ITEM 15 (874-E) OR ITEM 119 (872-E) MAY BE USED, BOTH ARE ACCEPTABLE  
 144 NOTE: 2 REFER TO PACKAGING #37-00690-02

D	I	G	I	T	A	L	TITLE	SECTION A	OF	A	SIZE	CODE	DOCUMENT NUMBER	REV
							TA78 TAPE DRIVE				K	PL	TA78-0-DBP	A



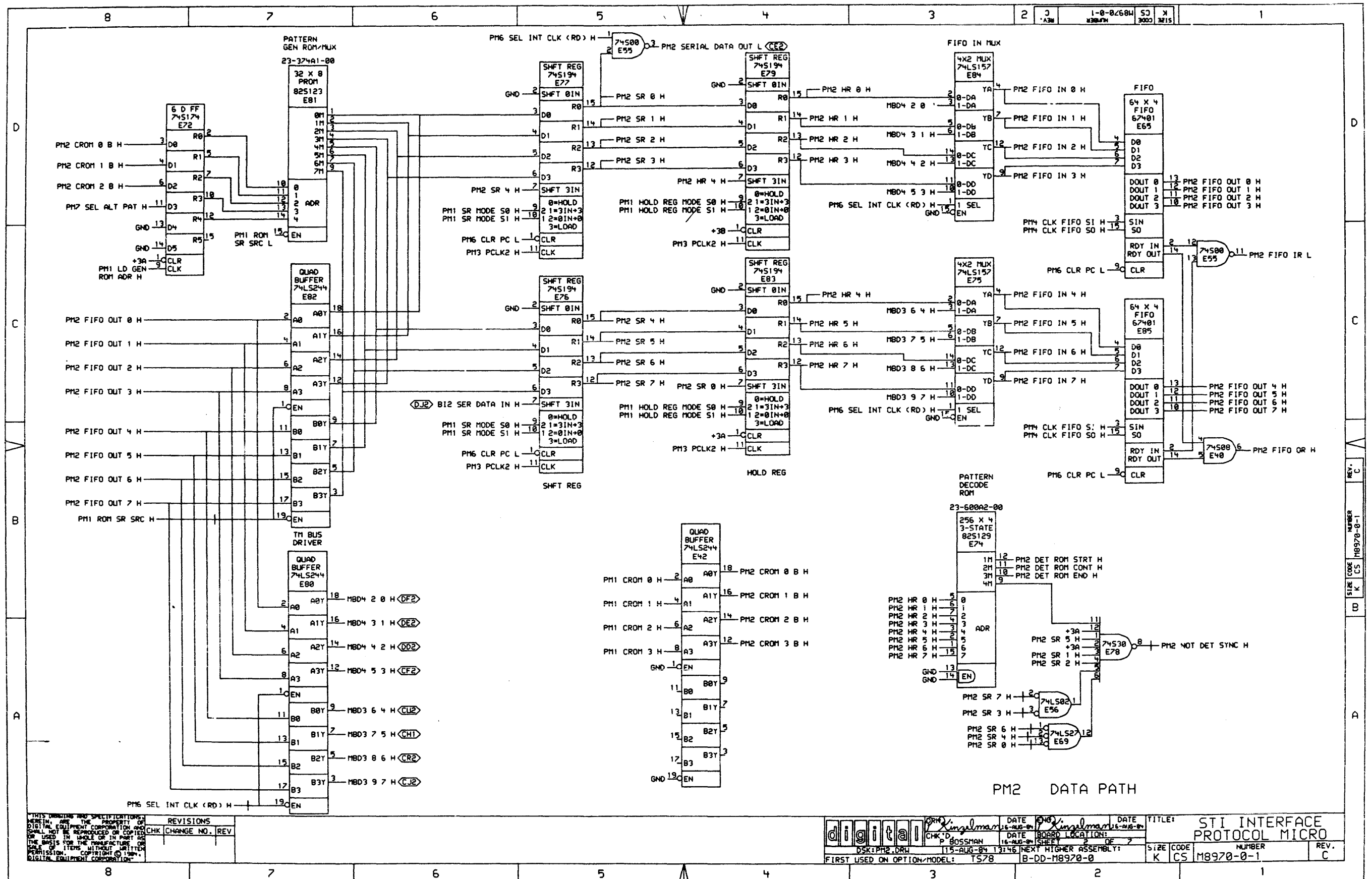
PM1 PROTOCOL MICRO LOGIC

THIS DRAWING AND SPECIFICATIONS ARE THE PROPERTY OF DIGITAL EQUIPMENT CORPORATION AND SHALL NOT BE REPRODUCED OR COPIED IN ANY MANNER OR IN PART AS THE BASIS FOR THE MANUFACTURE OR SALE OF ITEMS WITHOUT WRITTEN PERMISSION. COPYRIGHT © 1984, DIGITAL EQUIPMENT CORPORATION.

REVISIONS	
CHK	CHANGE NO. REV

	DATE: 15-AUG-84	DATE: 16-AUG-84	TITLE: STI INTERFACE
	CHK'D: P. BOSSMAN	DATE: 16-AUG-84	BOARD LOCATION: 1 OF 2
DSK1PH1.DRW	FIRST USED ON OPTION/MODEL: TS78	NEXT HIGHER ASSEMBLY: B-DD-M8970-0	SIZE/CODE: K CS
			NUMBER: M8970-0-1
			REV.: C

REV. C  
NUMBER M8970-0-1  
SIZE CODE K CS



THIS DRAWING AND SPECIFICATIONS ARE THE PROPERTY OF DIGITAL EQUIPMENT CORPORATION AND SHALL NOT BE REPRODUCED OR COPIED IN WHOLE OR IN PART AS THE BASIS FOR THE MANUFACTURE OR SALE OF ITEMS WITHOUT WRITTEN PERMISSION. COPYRIGHT © 1984, DIGITAL EQUIPMENT CORPORATION.

REV.	NO.	DATE	DESCRIPTION
1	1	15-AUG-84	13146 NEXT HIGHER ASSEMBLY

DATE	15-AUG-84	13146	NEXT HIGHER ASSEMBLY
DATE	15-AUG-84	13146	NEXT HIGHER ASSEMBLY
DATE	15-AUG-84	13146	NEXT HIGHER ASSEMBLY

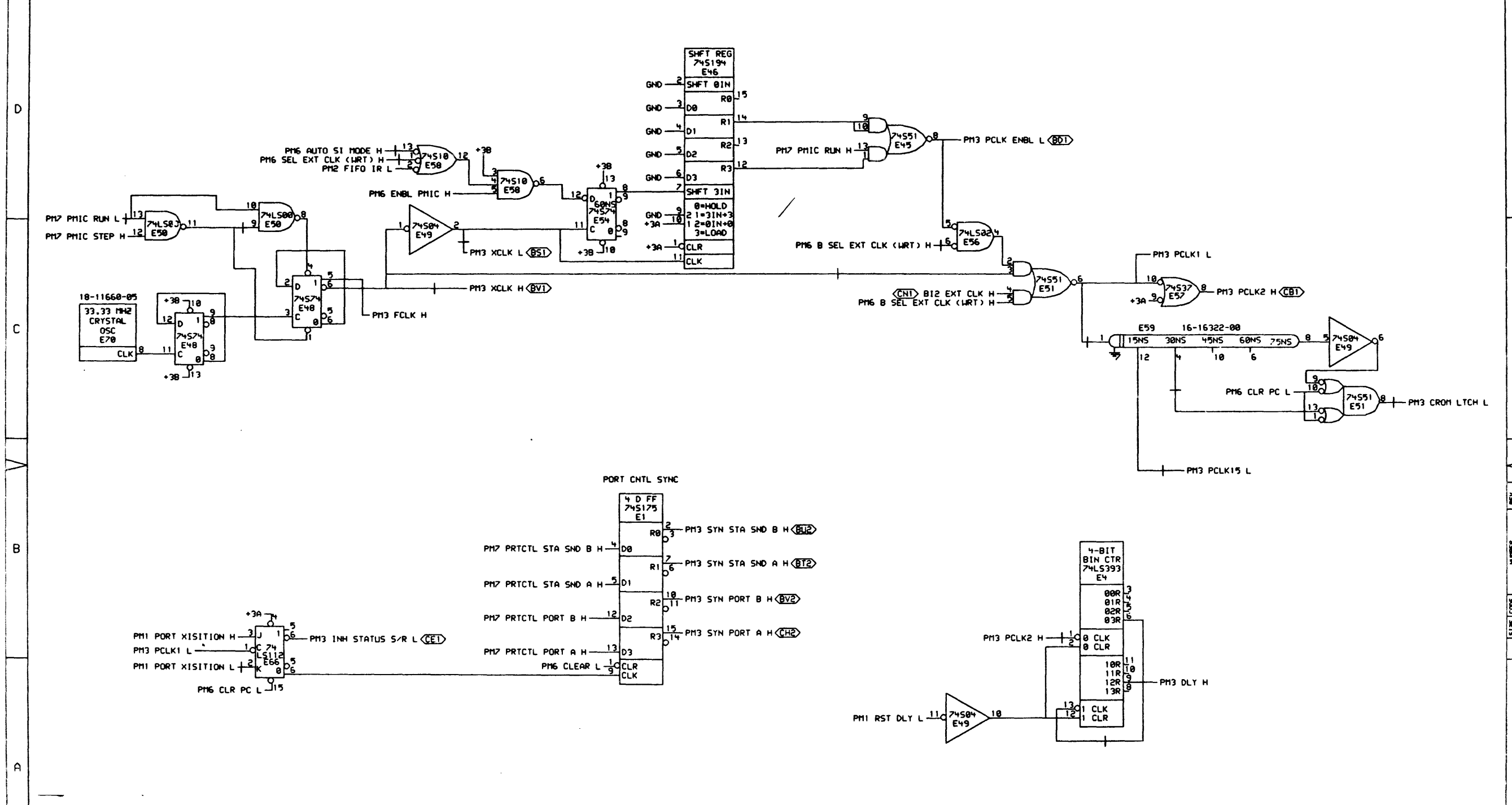
**TITLE:** STI INTERFACE PROTOCOL MICRO

**SIZE CODE:** K CS

**NUMBER:** M8970-0-1

**REV.:** C

**FIRST USED ON OPTION/MODEL:** T578 B-DD-M8970-0

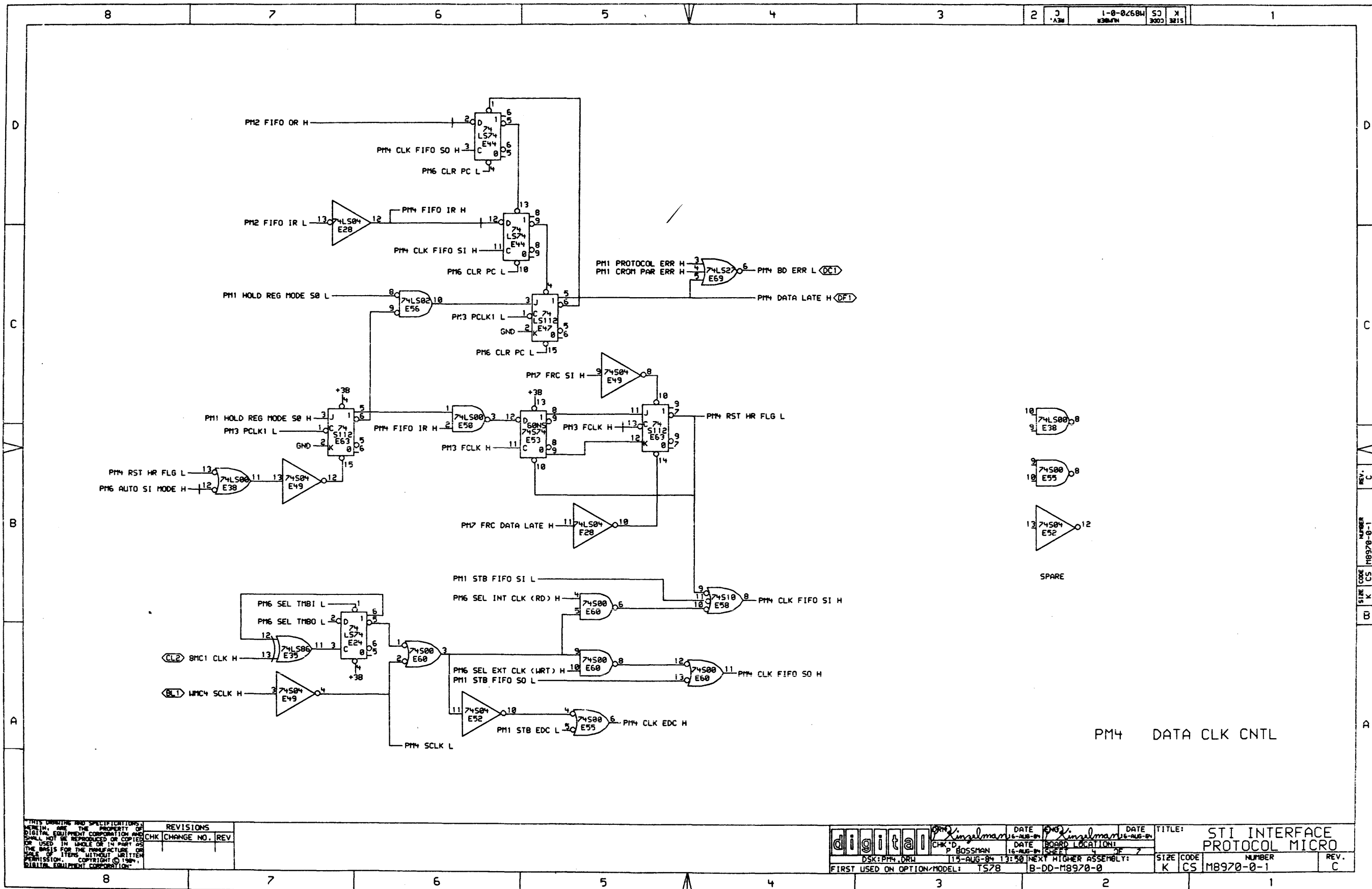


PM3 CLOCK GENERATOR

THIS DRAWING AND SPECIFICATIONS ARE THE PROPERTY OF DIGITAL EQUIPMENT CORPORATION AND SHALL NOT BE REPRODUCED OR COPIED OR USED IN WHOLE OR IN PART AS THE BASIS FOR THE MANUFACTURE OR SALE OF ITEMS WITHOUT WRITTEN PERMISSION. COPYRIGHT © 1984, DIGITAL EQUIPMENT CORPORATION.

REVISIONS	
CHK	CHANGE NO. REV.

digital	DATE	115-AUG-84	DATE	16-AUG-84	TITLE:	STI INTERFACE
	CHK'D	BOSSMAN	DATE	16-AUG-84	BOARD LOCATION:	PROTOCOL MICRO
FIRST USED ON OPTION/MODEL:		1578	NEXT HIGHER ASSEMBLY:		B-DD-18970-0	SIZE CODE
					NUMBER	M8970-0-1
					REV.	C



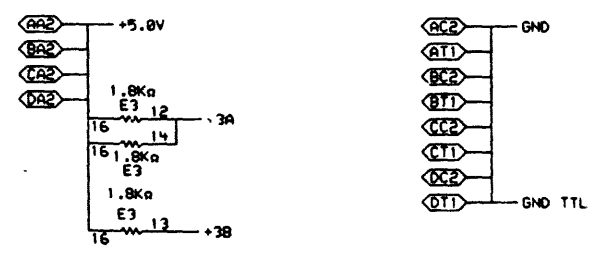
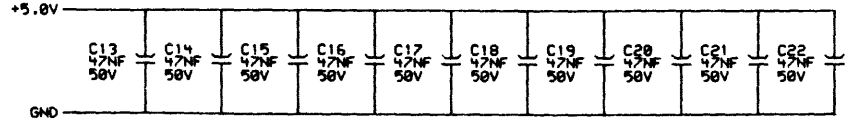
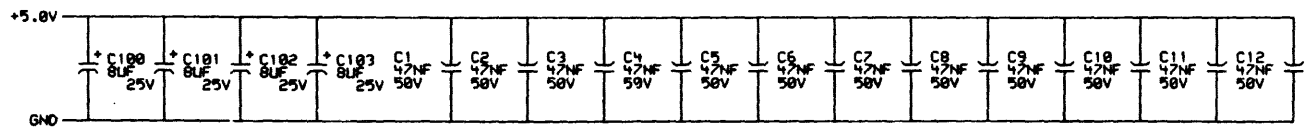
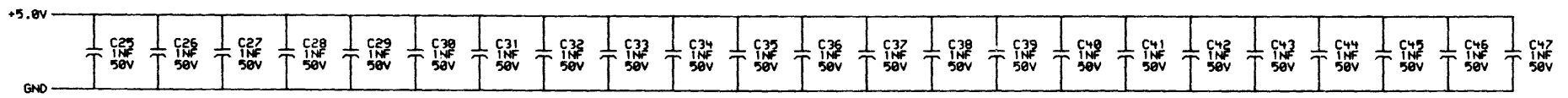
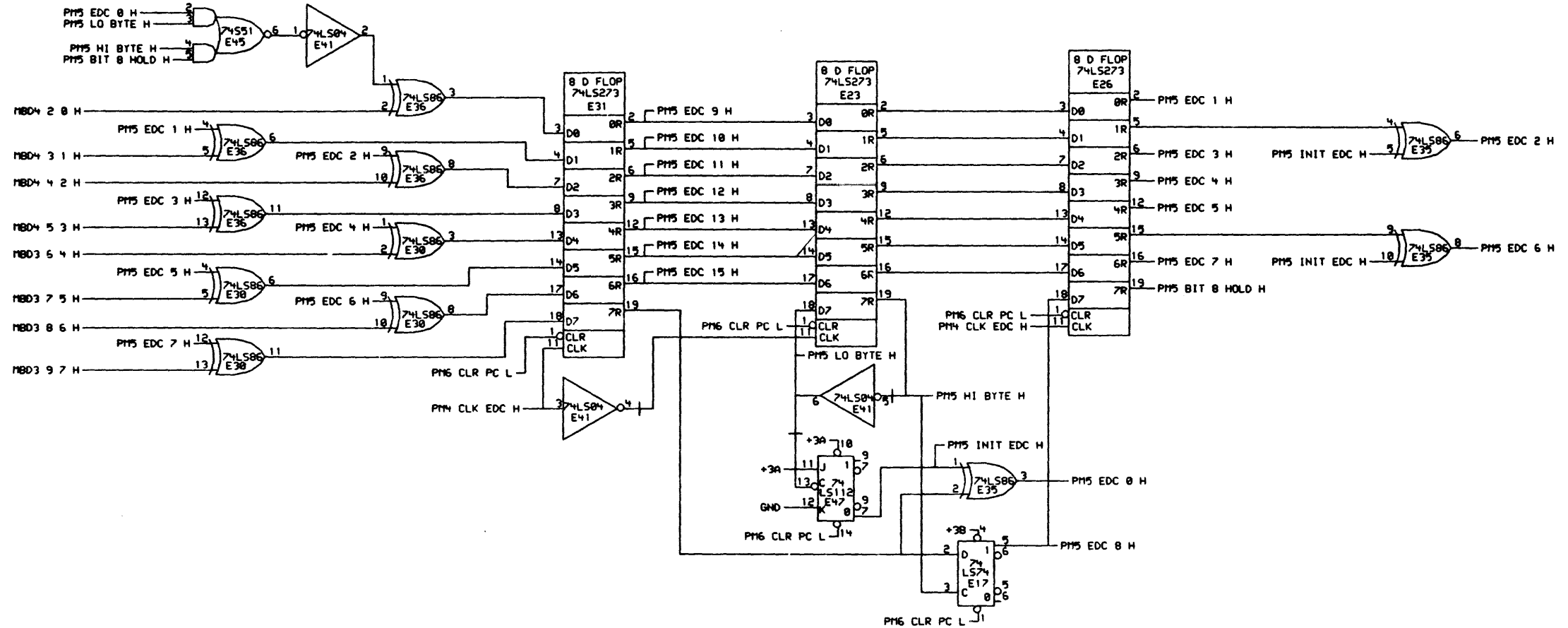
PM4 DATA CLK CNTL

THIS DRAWING AND SPECIFICATIONS  
HEREIN ARE THE PROPERTY OF  
DIGITAL EQUIPMENT CORPORATION AND  
SHALL NOT BE REPRODUCED OR COPIED  
OR USED IN WHOLE OR IN PART AS  
OR THE BASIS FOR THE MANUFACTURE OR  
SALE OF ITEMS WITHOUT WRITTEN  
PERMISSION. COPYRIGHT © 1984  
DIGITAL EQUIPMENT CORPORATION

REVISIONS		
CHK	CHANGE NO.	REV

<b>digital</b> DSK:PM4.DRW FIRST USED ON OPTION/MODEL: TS7B	DATE: 15-AUG-84 13:50 CHK'D: P BOSSMAN DATE: 15-AUG-84 13:50 NEXT HIGHER ASSEMBLY: B-DD-M8970-0	DATE: 16-AUG-84 DATE: 16-AUG-84 BOARD LOCATION: 7 SIZE CODE: K CS NUMBER: M8970-0-1	TITLE: STI INTERFACE PROTOCOL MICRO REV. C
---	--	---	--



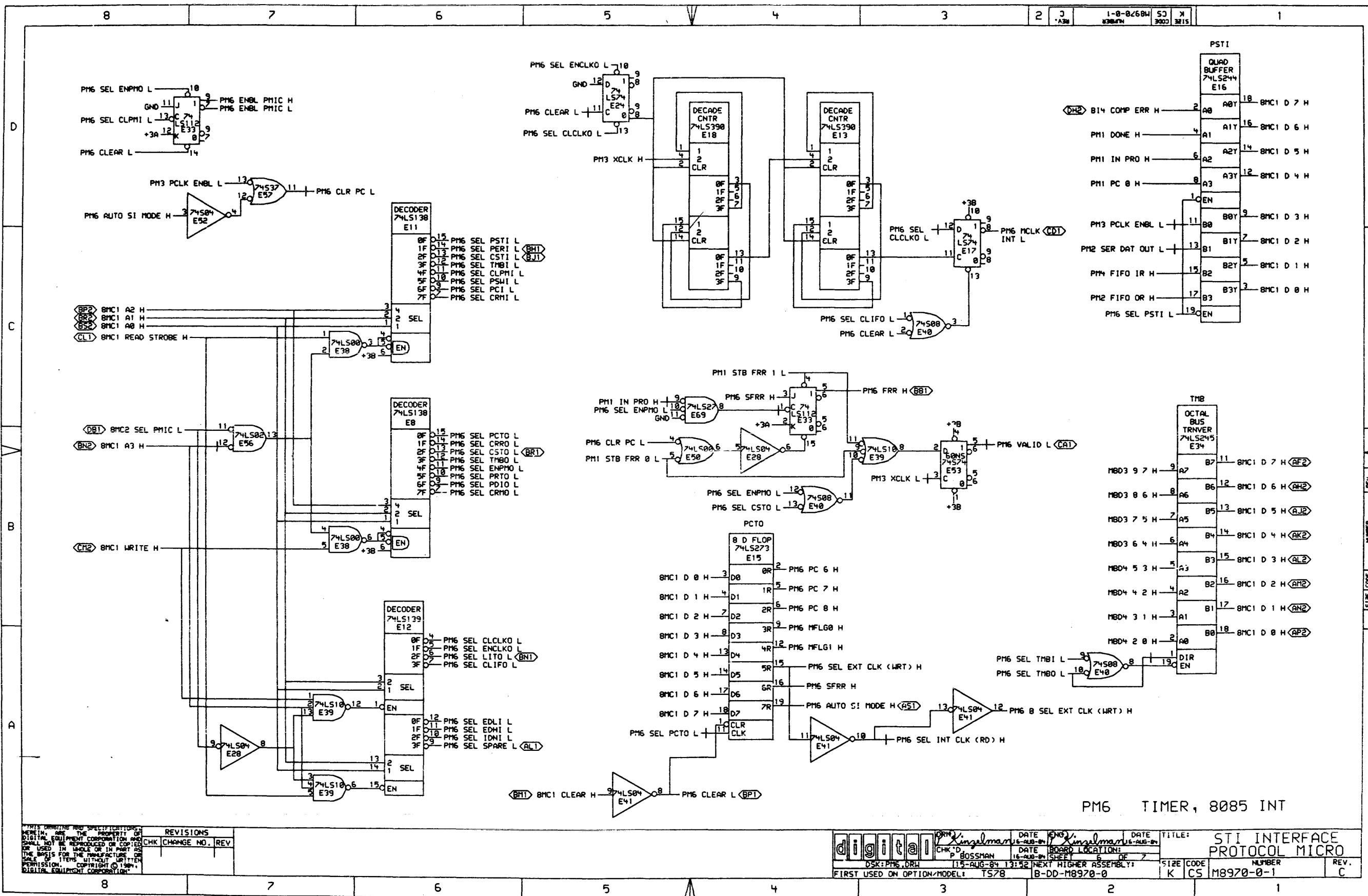


PM5 EDC LOGIC, PWR

THIS DRAWING AND SPECIFICATIONS HEREIN ARE THE PROPERTY OF DIGITAL EQUIPMENT CORPORATION AND SHALL NOT BE REPRODUCED OR COPIED OR USED IN WHOLE OR IN PART AS THE BASIS FOR THE MANUFACTURE OR SALE OF ITEMS WITHOUT WRITTEN PERMISSION. COPYRIGHT © 1984, DIGITAL EQUIPMENT CORPORATION.

REVISIONS
CHK CHANGE NO. REV

digital	DATE: 16-AUG-84	DATE: 16-AUG-84	TITLE: STI INTERFACE
	CHK'D: BOSSMAN	DATE: 16-AUG-84	BOARD LOCATION: 5 OF 7
DSK1PM5.DRW	115-AUG-84 13151	NEXT HIGHER ASSEMBLY: B-D0-M8970-0	SIZE CODE: K CS
FIRST USED ON OPTION/MODEL: T578	NUMBER: M8970-0-1	REV. C	

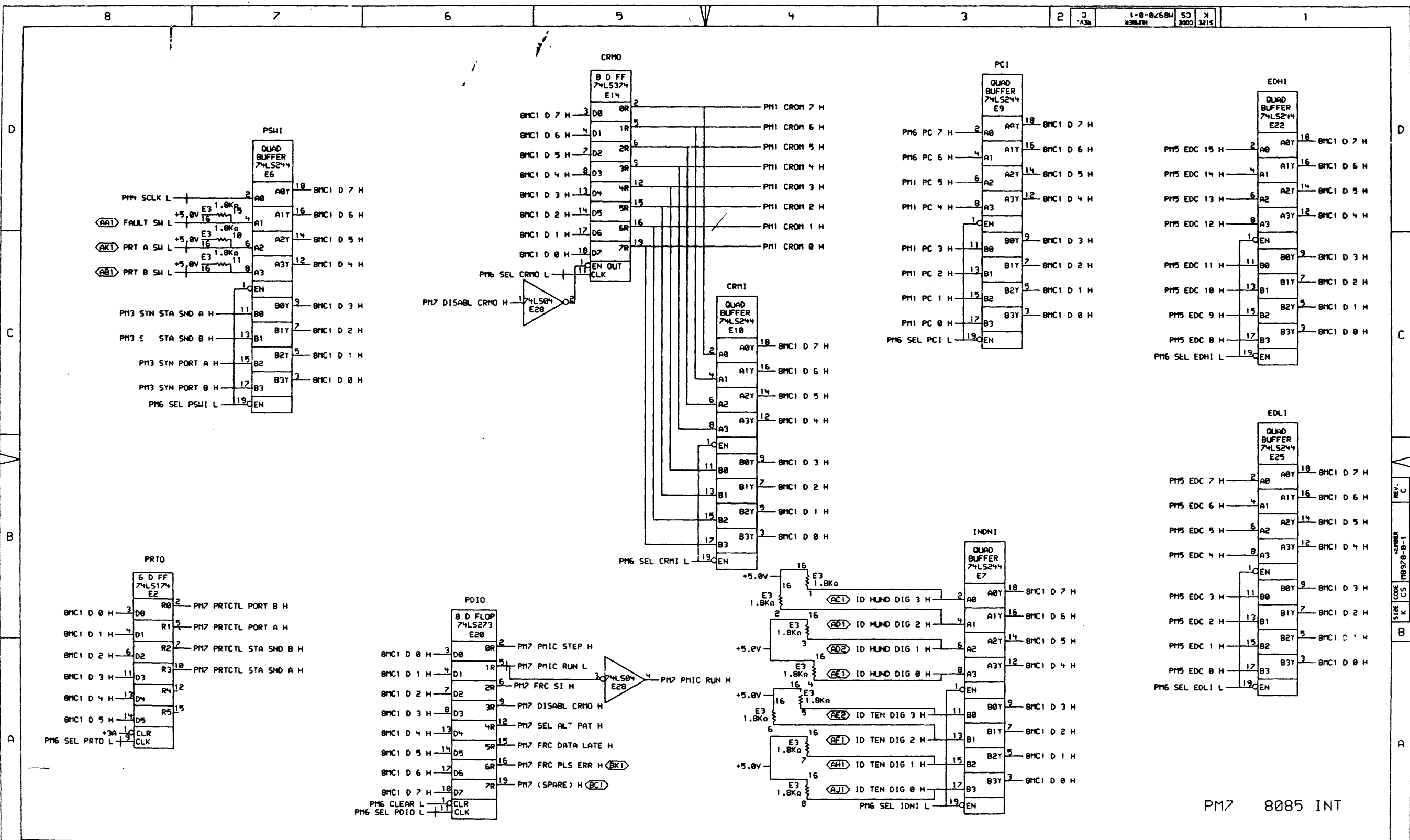


THIS DRAWING AND SPECIFICATIONS ARE THE PROPERTY OF DIGITAL EQUIPMENT CORPORATION AND SHALL NOT BE REPRODUCED OR COPIED OR USED IN WHOLE OR IN PART AS THE BASIS FOR THE MANUFACTURE OR SALE OF ITEMS WITHOUT WRITTEN PERMISSION. COPYRIGHT © 1984, DIGITAL EQUIPMENT CORPORATION.

REVISIONS	
CHK	CHANGE NO. REV

DATE ENG'D	DATE	TITLE
15-AUG-84	16-AUG-84	STI INTERFACE
DATE BOARD LOCATION	DATE SHEET	PROTOCOL MICRO
16-AUG-84	6 OF 7	
DESIGNER	CHK'D	DATE
P BOSSMAN		15-AUG-84
DATE	DATE	DATE
15-AUG-84	13:52	13:52
DATE	DATE	DATE
15-AUG-84	13:52	13:52

SIZE	CODE	NUMBER	REV.
K	CS	M8970-0-1	C
FIRST USED ON OPTION/MODEL:		DATE	REV.
TS78		18-DD-M8970-0	C



PM7 8085 INT

THIS DRAWING AND SPECIFICATIONS HEREIN ARE THE PROPERTY OF DIGITAL EQUIPMENT CORPORATION AND SHALL NOT BE REPRODUCED OR COPIED OR USED IN WHOLE OR IN PART AS THE BASIS FOR THE MANUFACTURE OR SALE OF ITEMS WITHOUT WRITTEN PERMISSION. COPYRIGHT © 1981 DIGITAL EQUIPMENT CORPORATION.

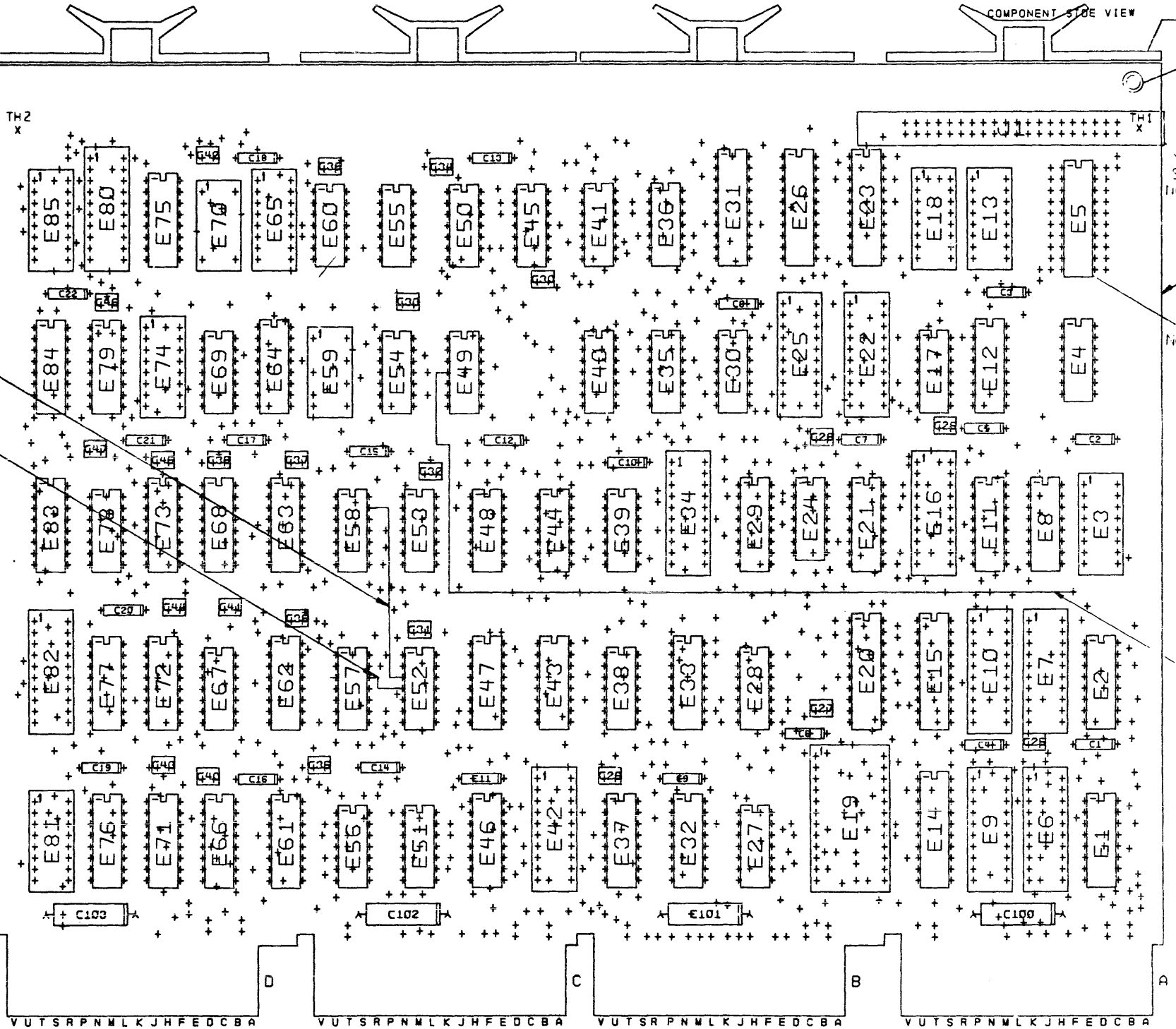
REV.	CHG	CHANGE NO.	REV.

**digital** Kinglman  
 DATE: 11-15-84  
 CHK'D: P. BOSSMAN  
 DATE: 11-15-84  
 BOARD LOCATION: 7  
 SHEET: 2  
 OF: 7  
 FIRST USED ON OPTION MODEL: TS28  
 B-DD-M8970-0

TITLE:	STI INTERFACE
TITLE:	PROTOCOL MICRO
SIZE CODE	K CS
NUMBER	M8970-0-1
REV.	C

THIS DRAWING AND SPECIFICATIONS, HEREIN, ARE THE PROPERTY OF DIGITAL EQUIPMENT CORPORATION AND SHALL NOT BE REPRODUCED OR COPIED IN WHOLE OR IN PART OR BE LOANED FOR THE REPRODUCTION OR SALE OF ITEMS WITHOUT WRITTEN PERMISSION. DIGITAL EQUIPMENT CORPORATION

0-0-0259W 70 2



SEE NOTE 1

SEE NOTE 2

NOTES: 1. J1 CONNECTOR WILL NOT BE INSTALLED IN PRODUCTION BOARDS.  
2. E5 IS A SPARE I.C. LOCATION.

STEP 1 → Y AXIS 2 STEP 2 TIMES  
REPEAT → X AXIS 2 STEP 2 TIMES

CHK/CHANGE NO	REV	DATE	BY	APP
M8970-	B			
SH001				
JJACKSON				
M8970-	C			
SH002				
S. PETERS				

ETCH REV. B

SIGNATURES	DATE	REV
DRN. Vincent	2/27/72	
CHK'D		
MECH. ENG. [Signature]	17 DEC 72	
PROJ. ENG. [Signature]	7 DEC 72	
PROD. [Signature]	16 DEC 72	
SCALE 2/1		
SHT. 1 OF 2		
NEXT HIGHER ASSY. B-00-M8970-0		

digital	
TITLE STI INTERFACE	
PROTOCOL MICO	
SIZE CODE	NUMBER
D U A M8970-0-0	
REV	
C	

840 1 MS#

8

0-0-0268W 70 D

6

5

4

3

2

1

THIS DRAWING AND SPECIFICATIONS HEREIN ARE THE PROPERTY OF DIGITAL EQUIPMENT CORPORATION AND SHALL NOT BE REPRODUCED OR COPIED OR USED IN WHOLE OR IN PART AS THE BASIS FOR THE MANUFACTURE OR SALE OF ITEMS WITHOUT WRITTEN PERMISSION. COPYRIGHT © 1977 DIGITAL EQUIPMENT CORPORATION.

D

FIRST RELEASE:

WIRE ADDS:

- 0-1. ADD WIRE FROM E52 PIN 4 TO E57 PIN 12.
- 0-2. ADD WIRE FROM E52 PIN 3 TO E58 PIN 13.

ECO # 2:

WIRE ADD:

- 2-1. ADD WIRE SECOND PTH BELOW E3 PIN 8 TO E49 PIN 4

C

B

A

D

C

B

A

REV C  
NUMBER M870-0-0  
SIZE CODE D UA

REVISION HISTORY		
DATE	ECO NUMBER	REV

TITLE STI INTERFACE  
PROTOCOL MICRO

DOCUMENT NUMBER		
SIZE CODE	NUMBER	REV
D UA	M870-0-0	C
SCALE 2/1	SHEET 2 OF 2	

8

7

6

5

4

3

2

1

D

C

B

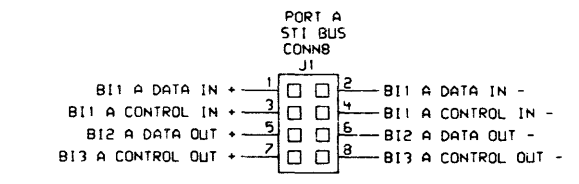
↑



LINE ITEM	DOCUMENT NUMBER	PART NUMBER	DESCRIPTION	QTY PER VARIATION 00	REFERENCE DESIGNATOR
31	35	1912829-00	LS86 X-OR GATE-QUAD 2IN	3	E30,E35,E36
32	36	1912834-00	LS112 FF-JK,DUAL,EDGE TRIG	3	E33,E47,E66
33	37	1912842-00	LS138 DECODER-THREE INPUT,	2	E8,E11
34	38	1912843-00	LS139 DECODER, 2 OF 4(DUAL	1	E12
35	39	1912847-00	LS157 MUX 1 OF 2(QUAD)	2	E75,E84
36	41	1912863-00	LS273 FF-D OCTAL W/CLEAR	5	E15,E20,E23,E26,E31
37	42	1913294-00	93S16 COUNTER,SYNCH UP BIN	2	E32,E37
38	43	1914086-00	74S30 NAND GATE-POS 8IN	1	E78
39	44	1914214-00	LS374 FF-D OCTAL EDGE TRIG	1	E14
40	45	1914451-00	LS393 COUNTER,BINARY,4BIT	1	E4
41	46	1914768-00	C 67401J MEMORY FIFO,SERIAL	2	E65,E85
42	47	1915193-00	LS244 DRIVER,LINE,OCTAL,T	10	E6,E7,E9,E10,E16,E22,E25,E42,
					CONT E80,E82
43	48	1915218-00	LS245 TRANSCEIVER,BUS,OCT	1	E34
44	49	1915234-00	LS390 COUNTER,DECADE,DUAL,	2	E13,E18
45	50	23070D1-00	D1-02	1	E19
46	51	23307A1-00	*** THIS ITEM IS NOT USED ***	-	
47	52	23600A2-00	A2-05	1	E74
48	53	9008337-06	HANDLE, FLIP CHIP, MAGENTA	4	
49	54	9006732-00	EYELET,ROLLED 0.1210DX0.219	8	
50	56	1811660-05	OSCILLATOR, XTAL 33.330 MHZ	1	E70
51	57	1912801-00	LSC2 NOR-GATE-QUAD 2IN	1	E56
52	58	D-EC-5015033-0-0	ETCH CUT DWG	REF	
53	59	1011740-05	1000.0 MMF 50V 10% CER	23	C25-C47
54	61	9105740-55	WIRE(WRAP) 30AWG KYNAR UL14	A/R	
55	62	1215006-06	SKT,IC 24PIN DIP TIN SOLD	1	XE19
56	63	23374A1-00	A1-07	1	E81

57 NOTE: THIS ASSEMBLY CONTAINS ITEMS SENSITIVE TO ELECTROSTATIC DISCHARGE.  
 58 NOTE: MAINTAIN ANTISTATIC PROTECTION PROCEDURES PER DEC STANDARD 067.

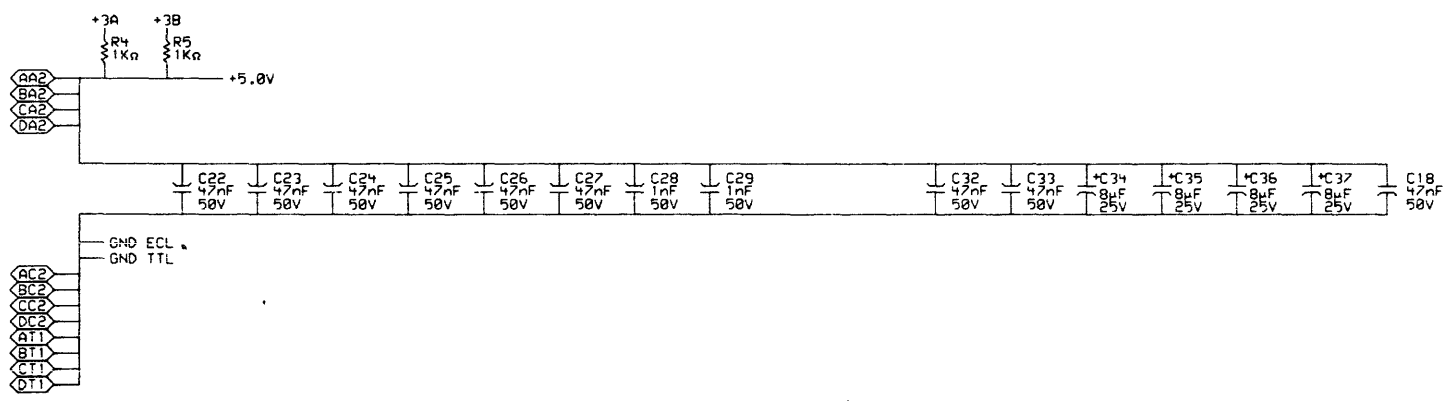
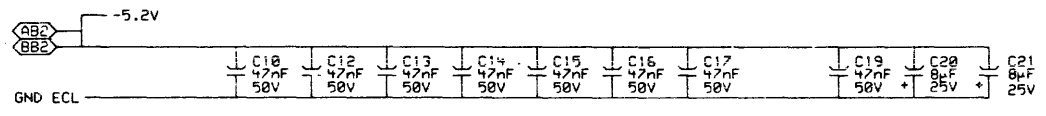
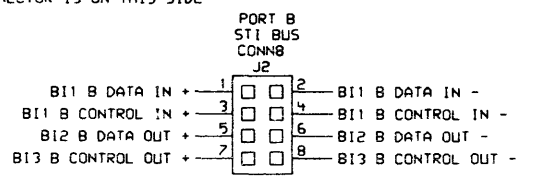
D	I	G	I	T	A	L	TITLE	SECTION A OF A	SIZE	CODE	DOCUMENT NUMBER	REV
Y&HK	HH	B3					STI INTERFACE PROTOCOL MICRO		K	PL	M8970-0-DBP	B



NOTE 1: SQUARE HOLE OF CONNECTOR IS ON THIS SIDE

NOTE 2: CONNECTORS AS VIEWED LOOKING INTO THE CONNECTOR PINS THAT THE CABLE PLUGS INTO.

NOTE 3: THE RUNS FROM THE SI BUS CONNECTOR MUST BE CONTROLLED IMPEDANCE RUNS. EACH RUN MUST BE 37 MILS WIDE AND THE PAIRS OF RUNS MUST BE RIGHT OVER TOP OF EACH OTHER 2 LAYERS APART (LAYERS 1 AND 3 OR 2 AND 4). ALL METAL MUST BE MOVED AWAY AT LEAST 160 MILS WHEREVER POSSIBLE. THE RESULTING IMPEDANCE IS 93 OHMS.



BI1 PWR,CONN

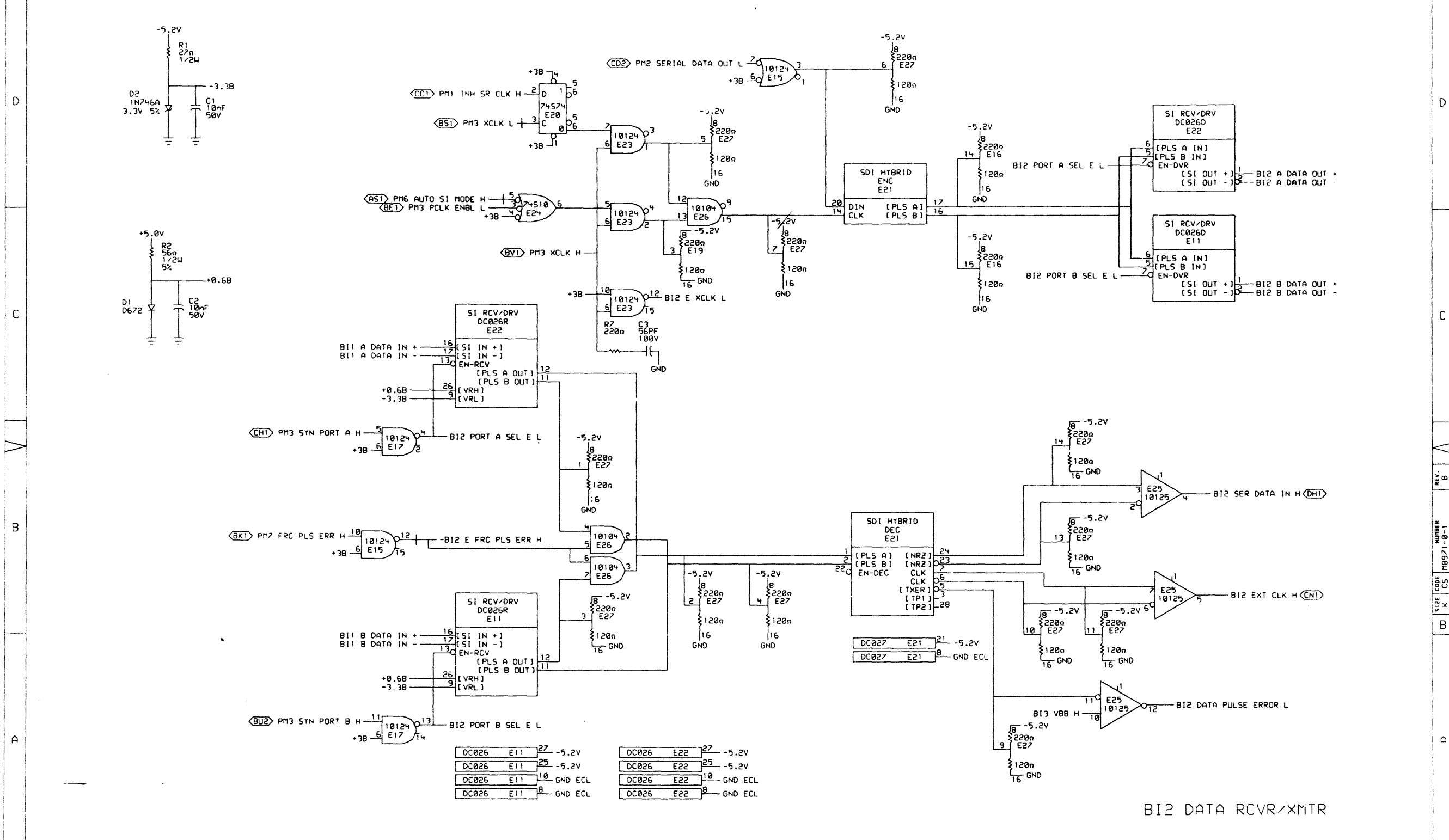
THIS DRAWING AND SPECIFICATIONS, HEREIN, ARE THE PROPERTY OF DIGITAL EQUIPMENT CORPORATION AND SHALL NOT BE REPRODUCED OR COPIED OR USED IN WHOLE OR IN PART AS THE BASIS FOR THE MANUFACTURE OR SALE OF ITEMS WITHOUT WRITTEN PERMISSION. COPYRIGHT © 1987, DIGITAL EQUIPMENT CORPORATION.

REVISIONS		
CHK	CHANGE NO.	REV.

	DATE: 15-FEB-83 CHK'D: P BOSSMAN	DATE: 15-FEB-83 DATE: 15-FEB-83 SHEET: 1 OF 4	TITLE: STI INTERFACE BUS LOGIC
	PB: TA78-LIB.C53811.DRW 115-FEB-83 11:01	NEXT HIGHER ASSEMBLY: B-DD-M8971-0	SIZE CODE: K ICS

REV. B  
NUMBER M8971-0-1  
SIZE CODE K ICS





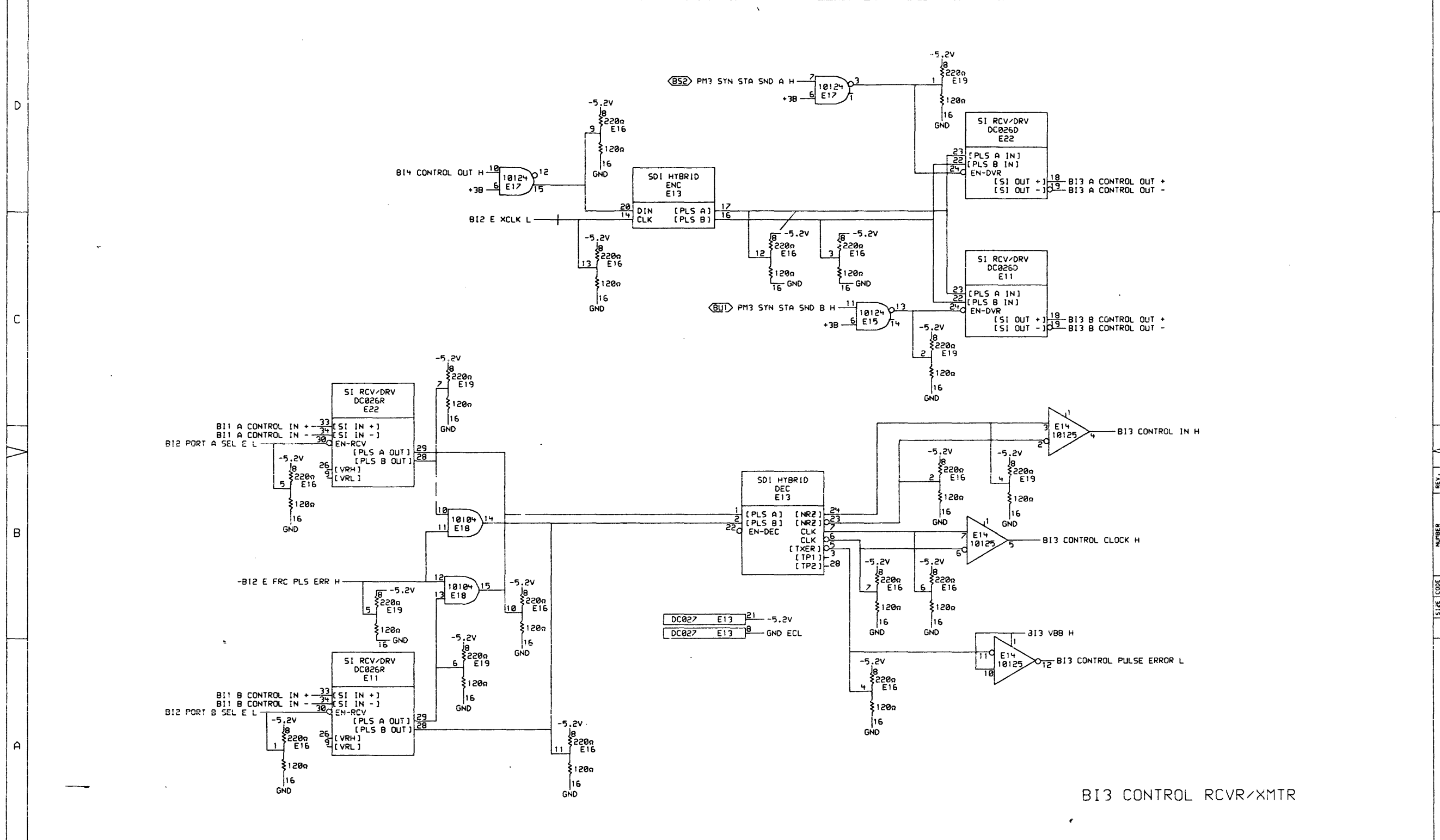
DC026	E11	27	-5.2V	DC026	E22	27	-5.2V
DC026	E11	25	-5.2V	DC026	E22	25	-5.2V
DC026	E11	10	GND ECL	DC026	E22	10	GND ECL
DC026	E11	8	GND ECL	DC026	E22	8	GND ECL

THIS DRAWING AND SPECIFICATIONS HEREIN ARE THE PROPERTY OF DIGITAL EQUIPMENT CORPORATION AND SHALL NOT BE REPRODUCED OR COPIED OR USED IN WHOLE OR IN PART AS THE BASIS FOR THE MANUFACTURE OR SALE OF ITEMS WITHOUT WRITTEN PERMISSION. COPYRIGHT © 1981, DIGITAL EQUIPMENT CORPORATION.

REVISIONS	
CHK	CHANGE NO. REV

**digit@l** ORN  
 DATE 5-FEB-83  
 DATE 5-FEB-83  
 TITLE: STI INTERFACE BUS LOGIC  
 CHK'D. P BOSSMAN  
 DATE 15-FEB-83  
 BOARD LOCATION: 2 OF 4  
 SHEET 2 OF 4  
 SIZE CODE K CS M8971-0-1  
 NUMBER 1-0-1264  
 REV. B

REV. B  
 NUMBER M8971-0-1  
 SIZE CODE CS  
 K



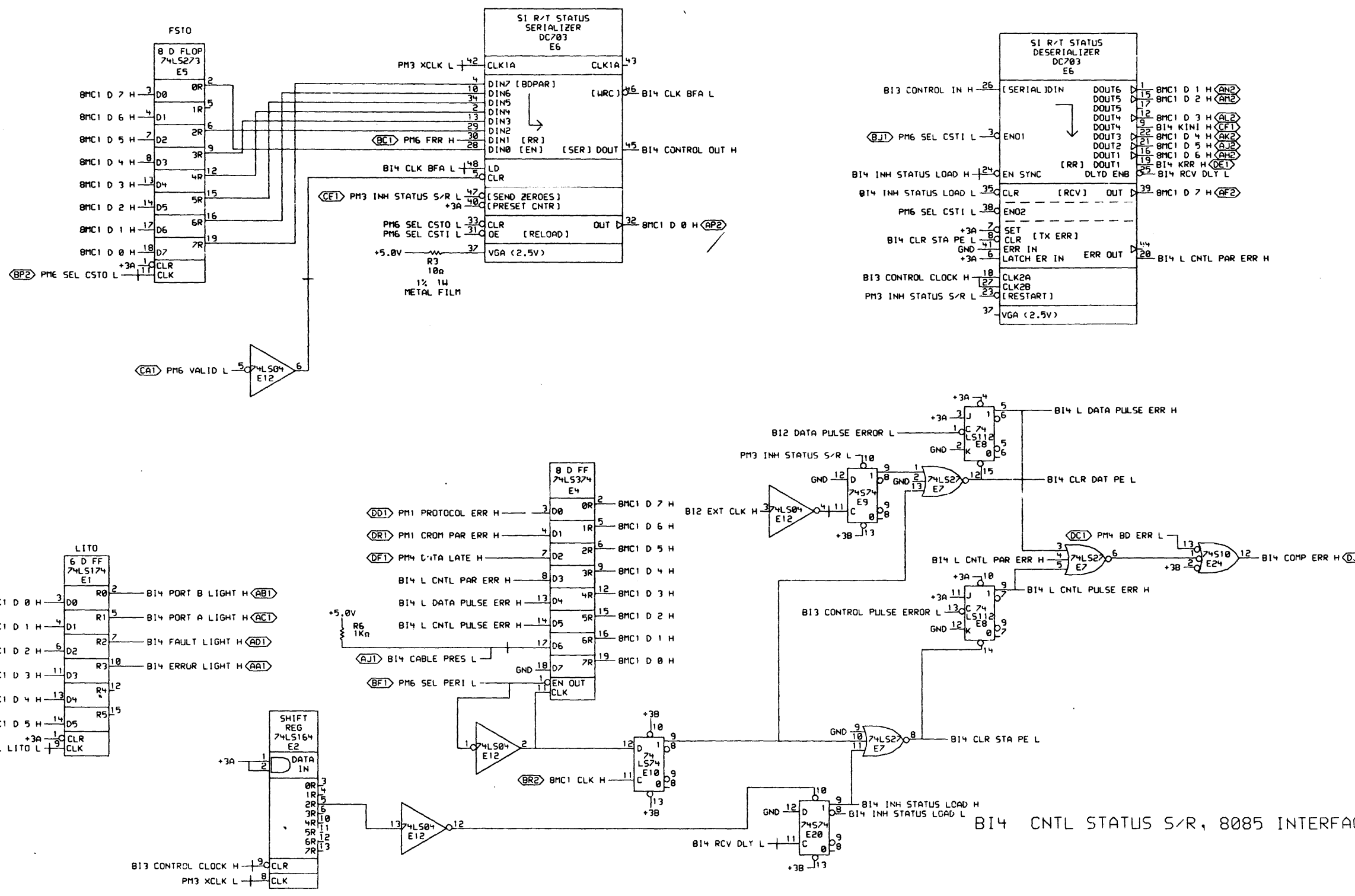
B13 CONTROL RCVR/XMTR

THIS DRAWING AND SPECIFICATIONS ARE THE PROPERTY OF DIGITAL EQUIPMENT CORPORATION AND SHALL NOT BE REPRODUCED OR COPIED OR USED IN WHOLE OR IN PART AS THE BASIS FOR THE MANUFACTURE OR SALE OF ITEMS WITHOUT WRITTEN PERMISSION. COPYRIGHT © 1983, DIGITAL EQUIPMENT CORPORATION.

REVISIONS	
CHK	CHANGE NO. REV

DATE	BY	DATE	BY	TITLE:
15-FEB-83	P. Kinzelman	15-FEB-83	P. Kinzelman	STI INTERFACE BUS LOGIC
15-FEB-83	P. BOSSMAN			

PB: (TA78-LB-CS)B13.DRW 15-FEB-83 11:02 FIRST USED ON OPTION-MODEL: TS78	DATE BOARD LOCATION: 3 OF 4 SHEET	SIZE CODE K CS NUMBER M8971-0-1	REV. B
---	--------------------------------------	------------------------------------	--------



B14 CNTL STATUS S/R, 8085 INTERFACE

THIS DRAWING AND SPECIFICATIONS HEREIN ARE THE PROPERTY OF DIGITAL EQUIPMENT CORPORATION AND SHALL NOT BE REPRODUCED OR COPIED OR USED IN WHOLE OR IN PART AS THE BASIS FOR THE MANUFACTURE OR SALE OF ITEMS WITHOUT WRITTEN PERMISSION. COPYRIGHT © 1981, DIGITAL EQUIPMENT CORPORATION.

REVISIONS	CHK	CHANGE NO.	REV

DATE	BY	DATE	BY	TITLE
15-FEB-83	Kinselmar	15-FEB-83	Kinselmar	STI INTERFACE
15-FEB-83	P BOSSMAN	15-FEB-83	P BOSSMAN	BUS LOGIC

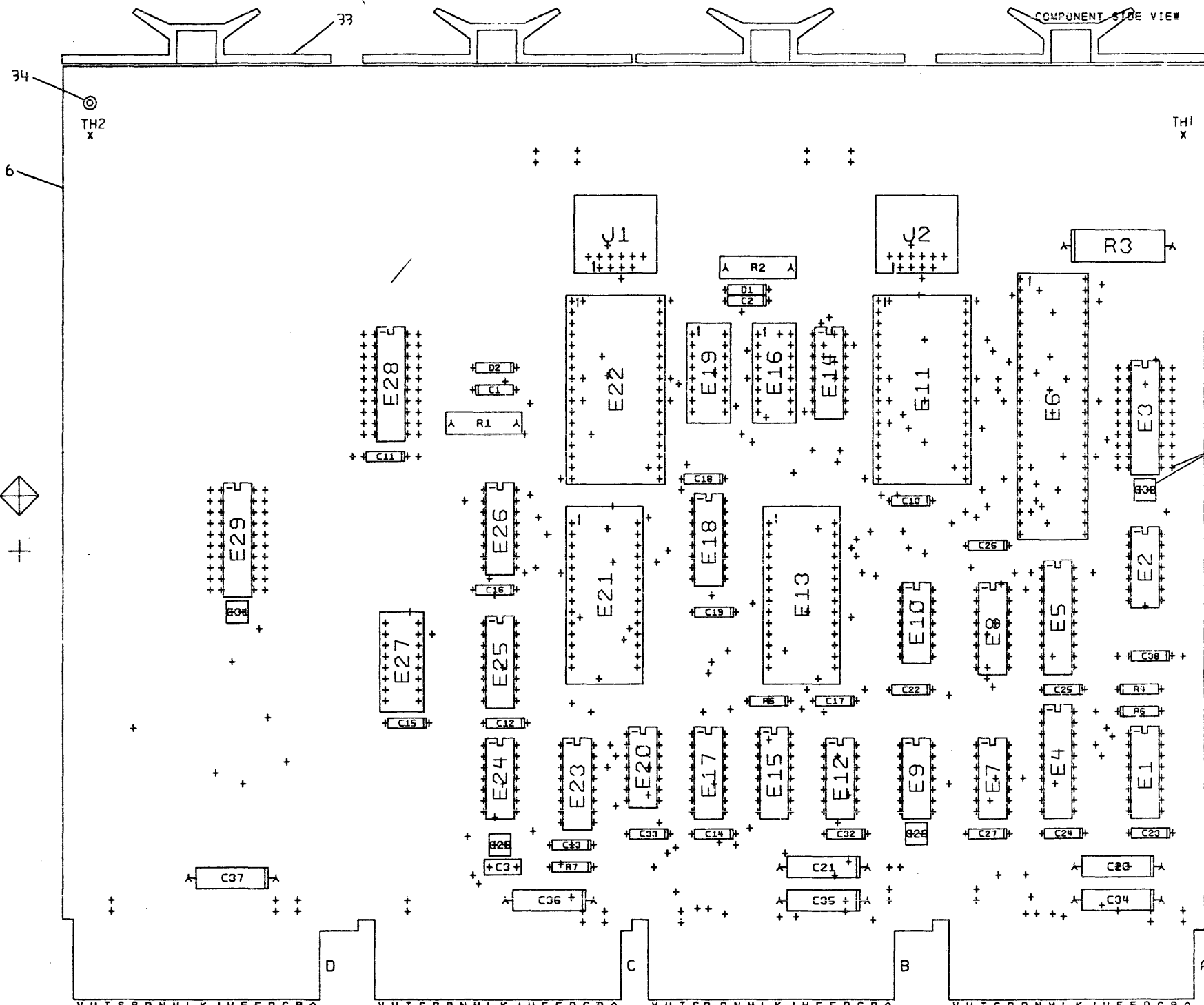
digital	DATE	BY	DATE	BY	TITLE
	15-FEB-83	Kinselmar	15-FEB-83	Kinselmar	STI INTERFACE
	15-FEB-83	P BOSSMAN	15-FEB-83	P BOSSMAN	BUS LOGIC
PB: <TA78-L18.CS>B14.DRW		15-FEB-83 11:02		NEXT HIGHER ASSEMBLY:	
FIRST USED ON OPTION/MODEL:		T578		B-DD-M8971-0	
SIZE	CODE	NUMBER	REV.		
K	CS	M8971-0-1	B		

REV. B  
NUMBER M8971-0-1  
SIZE CODE CS  
K CS  
B  
A

THIS DRAWING AND SPECIFICATIONS REMAIN THE PROPERTY OF DIGITAL EQUIPMENT CORPORATION AND SHALL NOT BE REPRODUCED OR COPIED IN WHOLE OR IN PART WITHOUT WRITTEN PERMISSION.  
 COPYRIGHT © 1985 DIGITAL EQUIPMENT CORPORATION

0-D-TL68W UN 0 2  
 8 D UA M8971-0-0

COMPONENT SIDE VIEW



NOTES: 1. SPARE LOCATIONS: E3, E28, E29, C11, C30, C31 & C38.  
 2. THIS ASSEMBLY CONTAINS ITEMS SENSITIVE TO ELECTROSTATIC DISCHARGE MAINTAIN ANTISTATIC PROTECTION PROCEDURE PER DEC STD. 067.

NOTES: 3. THIS BOARD MEETS REQUIREMENTS FOR UL TYPE LPWR.

STEP	E	Y AXIS	STEP	TIMES
REPEAT		X AXIS	STEP	TIMES

CHG NO REV  
 REDRAWN  
 C.X. M8971-0-0  
 S11001

ETCH REV. E-P1

SIGNATURES  
 DRN. C. LIVIERATOS / 2/78  
 CHK'D. [Signature] / 6-15-83  
 MECH. ENG. P. [Signature] / 7-11-83  
 PROJ. ENG. P. [Signature] / 7-11-83  
 PROD. P. [Signature] / 7-11-83  
 SCALE 2:1  
 SHT. 1 OF 1  
 NEXT HIGHER ASSY. B-DD-M8971-0

DATE 5/11/83  
 digital  
 TITLE STI INTERFACE BUS LOGIC  
 SIZE CODE D UA  
 NUMBER M8971-0-0  
 REV B

SEE NOTE 1

M8971-0-0  
 D UA  
 B

SHO 1 MS#

LINE ITEM	DOCUMENT NUMBER	PART NUMBER	DESCRIPTION	QTY PER VARIATION	REFERENCE DESIGNATOR
1	6	D-MD-5015050-0-0	5015050-00 DRILL AND ETCH BOARD	1	
2	7	1001610-00	.01 MFD 50V +80-20% Z5U CER	2	C1,C2
3	8	1011740-05	1000.0 MMF 50V 10% CER	2	C28,C29
4	9	1012084-01	8 MFD 25V +75-10% AL EL	6	C20,C21,C34-C37
5	10	1012784-00	.047 MFD 50V +80-20% CER	17	C10,C12-C19,C22-C27,C32,C33
6	11	1105275-00	PIV= 60 IO=300 MA -15NS	1	D1
7	12	1104860-00	VZ= 3.3 5% 400 MW 1N746A	1	D2
8	13	1218414-00	PCB,HEADER 08PIN(2X04).100CC 90D	2	J1,J2
9	14	1300005-04	*** THIS ITEM IS NOT USED ***	-	
10	15	1300365-00	1.0 K .25 W 5.0 % CF	3	R4,R5,R6
11	16	1302253-00	27.0 .50 W 5.0 % CF	1	R1
12	17	1309995-00	56.0 .50 W 5.0 % CF	1	R2
13	18	1318881-00	10.0 1.0 W 1.0 % RN70D-F10	1	R3
14	19	1918073-00	DC 703 400 GATE ARRAY	1	E6
15	20	1918747-01	ENCODER/DECODER,HYBR	2	E13,E21
16	21	1918748-00	SDI RECEIVER/DRIVER,	2	E11,E22
17	22	1914214-00	LS374 FF-D OCTAL EDGE TRIG	1	E4
18	23	1912697-00	LS174 FF-D HEX W/CLEAR	1	E1
19	24	1912803-00	LS04 INVERTER GATE,HEX	1	E12
20	25	1912813-00	LS27 NOR GATE-TRIPLE 3IN	1	E7
21	26	1912824-00	LS74 FF-D DUAL,EDGE TRIGG	1	E10
22	27	1912834-00	LS112 FF-JK,DUAL,EDGE TRIG	1	E8
23	28	1912863-00	LS273 FF-D OCTAL W/CLEAR	1	E5
24	29	1910536-00	74S10 NAND GATE-TRIPLE 3IN	1	E24
25	30	1911401-00	10104 AND GATE,QUAD 2IN	2	E18,E26
26	31	1911414-00	10124 TTL TO ECL TRNSLTR	3	E15,E17,E23
27	32	1910544-00	74S74 FF-D DUAL,EDGE TRIGG	2	E9,E20
28	33	9008337-06	HANDLE, FLIP CHIP, MAGENTA	4	
29	34	9006732-00	EYELET,ROLLED 0.1210DX0.219	8	
30	35	1911415-00	10125 ECL TO TTL TRNSLTR	2	E14,E25

REVISION HISTORY		BASIC PART NO: M8971		DRN: JIM RICHARD	DATE: 22-DEC-81	D I G I T A L				
ENG!	ECO NUMBER	REV	SECTION A OF A	CHK'D: P. BOSSMAN	DATE: 16-JUN-82	TITLE		PARTS LIST		
PK	INITIAL	A	SECTION VARIATION INDEX	DES.ENG: PAUL KINZELMAN	DATE: 22-DEC-81	STI INTERFACE BUS LOGIC				
P.K!	M8971-SH001	B	[A] 00	RESP.ENG.: M. CHRISTMAN	DATE: 16-JUN-82	DOCUMENT NUMBER				
			[B]	MFG.ENG.: D. SWIFT	DATE: 16-SEP-82	SIZE	CODE	NUMBER	REV	
			[C]	ASSEMBLY NUMBER:	TOP DOCUMENT NUMBER:	K	PL	M8971-0-DBP	B	
			[D]	D-UA-M8971-0-0	#B-DD-M8971-0	FILE NAME:		EDIT #		
			[E]			Z2131B.PLS		14		
			[F]	"THIS DRAWING AND SPECIFICATIONS HEREIN, ARE THE PROPERTY OF DIGITAL EQUIPMENT CORPORATION AND SHALL NOT BE REPRODUCED OR COPIED OR USED IN WHOLE OR IN PART AS THE BASIS FOR THE MANUFACTURE OR SALE OF ITEMS WITHOUT WRITTEN PERMISSION. COPYRIGHT (C) 1983. DIGITAL EQUIPMENT CORPORATION "						
			[G]							
			[H]							
			[I]							
			[J]							
			[K]							
			[L]							
			[M]							
			[N]							

AUTOMATED BY PRTLST.3P(44)

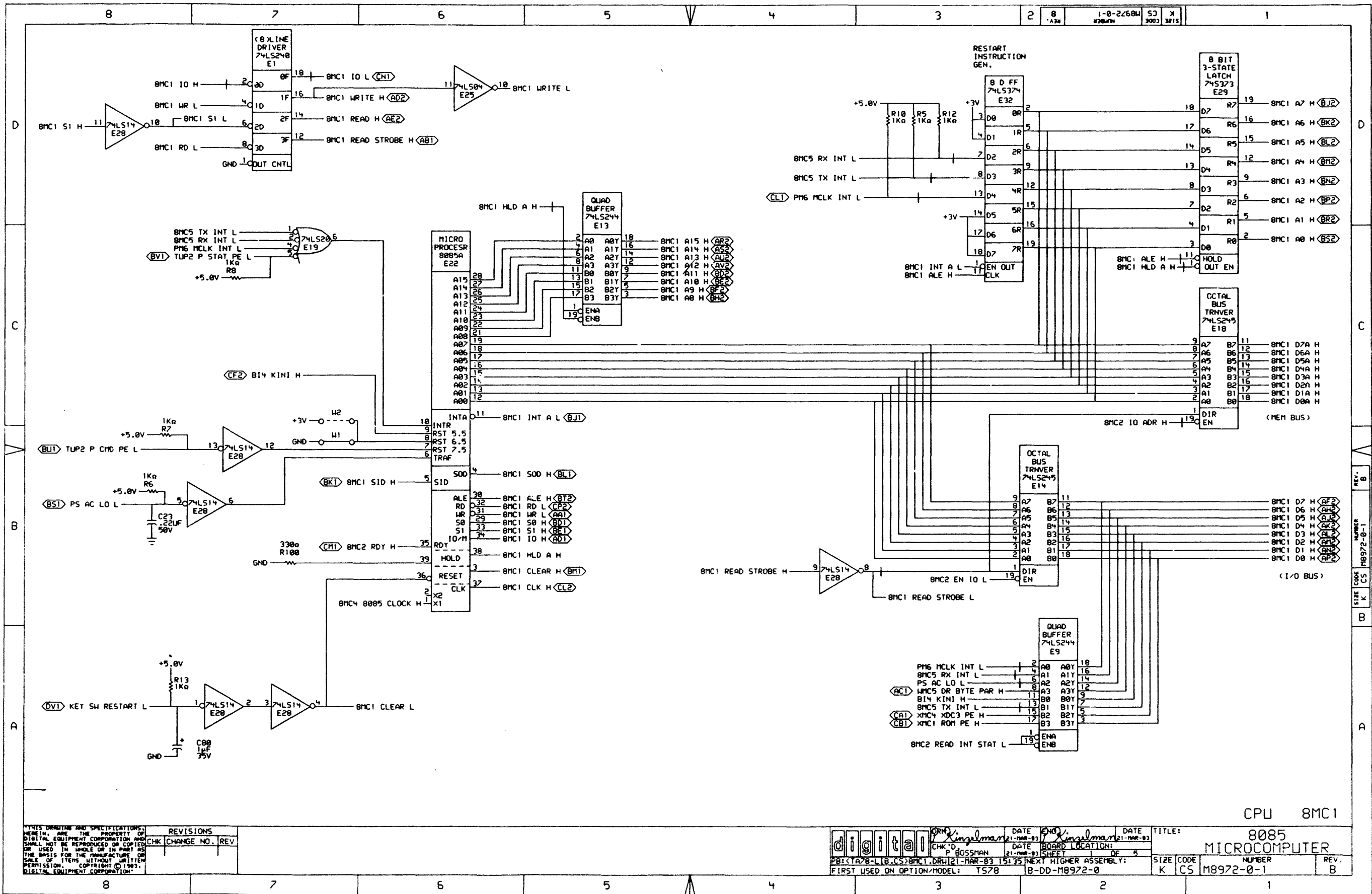
P A R T S L I S T

SHEET A2 OF A2

LINE	ITEM	DOCUMENT NUMBER	PART NUMBER	DESCRIPTION	QTY PER VARIATION 00	REFERENCE DESIGNATOR
31	36		1300271-00	220.0 .25 W 5.0 % CF	1	R7
32	37		1000012-00	56.0 MMF 100V 5%200PPM MICA	1	C3
33	38		9105740-55	WIRE(WRAP) 30AWG KYNAR UL14	A/R	
34	39		1311003-05	R NETWORK 14-120 14-220 16PIN	3	E16,E19,E27
35	40		1912850-00	LS164 SHIFT REG. 8BIT SERI	1	E2

36 NOTE: 1. THIS ASSEMBLY CONTAINS ITEMS SENSITIVE TO ELECTRO STATIC DISCHARGE.  
 37 NOTE: MAINTAIN ANTI-STATIC PROTECTION PROCEDURE PER DEC STD. 067.

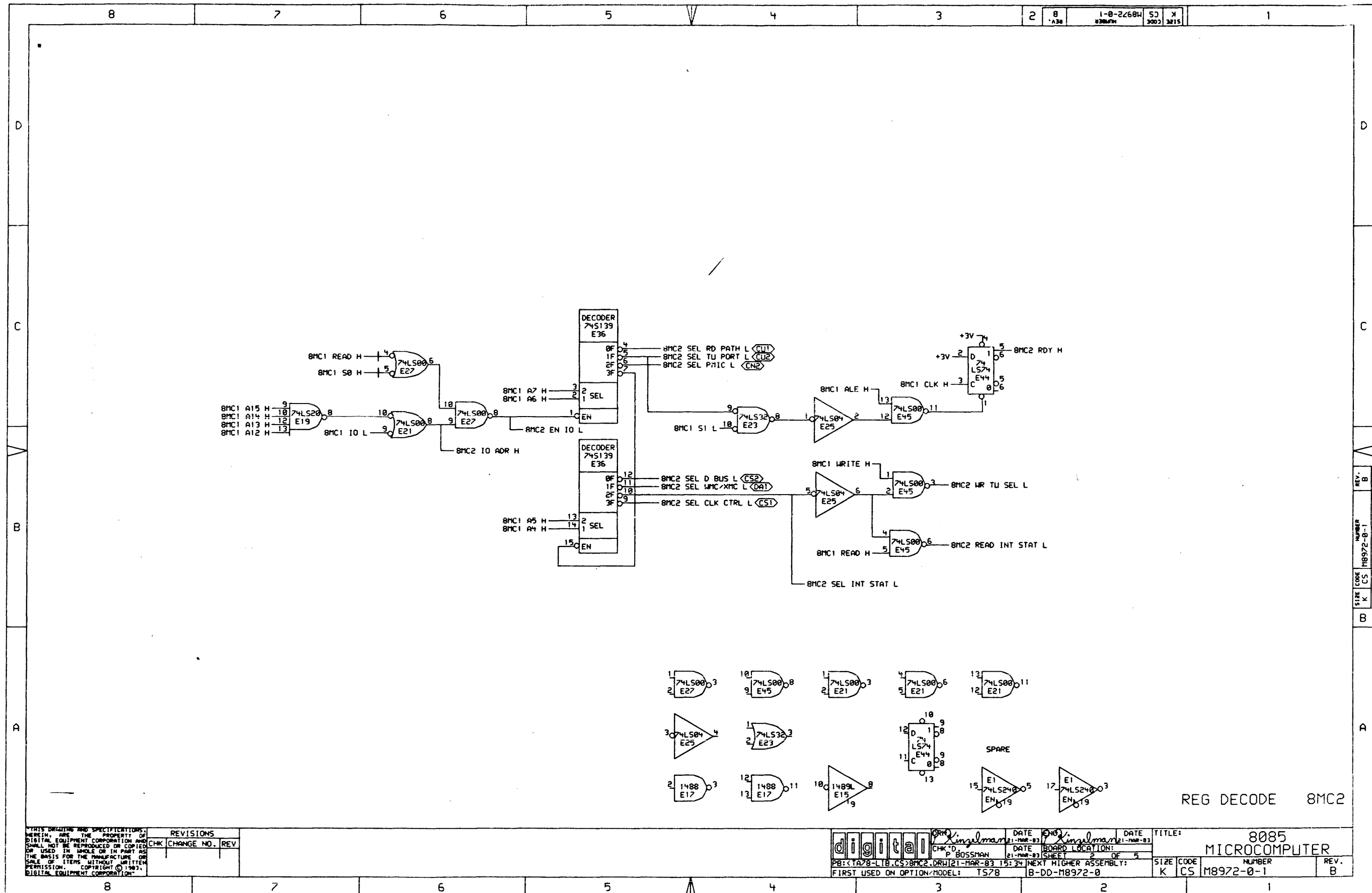
D	I	G	I	T	A	L	TITLE	STI INTERFACE BUS LOGIC	SECTION A	OF A	SIZE	CODE	DOCUMENT NUMBER	REV
											K	PL	M8971-0-DBP	B



THIS DRAWING AND SPECIFICATIONS HEREIN ARE THE PROPERTY OF DIGITAL EQUIPMENT CORPORATION AND SHALL NOT BE REPRODUCED OR COPIED OR USED IN WHOLE OR IN PART AS THE BASIS FOR THE MANUFACTURE OR SALE OF ITEMS WITHOUT WRITTEN PERMISSION. COPYRIGHT © 1983, DIGITAL EQUIPMENT CORPORATION.

REVISIONS		
CHK	CHANGE NO.	REV

DATE: 21-MAR-83	DATE: 21-MAR-83	TITLE: CPU 8085 MICROCOMPUTER
CHK'D: BOSSMAN	DATE: 21-MAR-83	BOARD LOCATION: DE 5
PB: <TA28-LIB.CS>8MC1.DRIJ21-MAR-83 15:35	NEXT HIGHER ASSEMBLY: B-DD-M8972-0	SIZE CODE: K CS
FIRST USED ON OPTION/MODEL: TS78		NUMBER: M8972-0-1
		REV: B

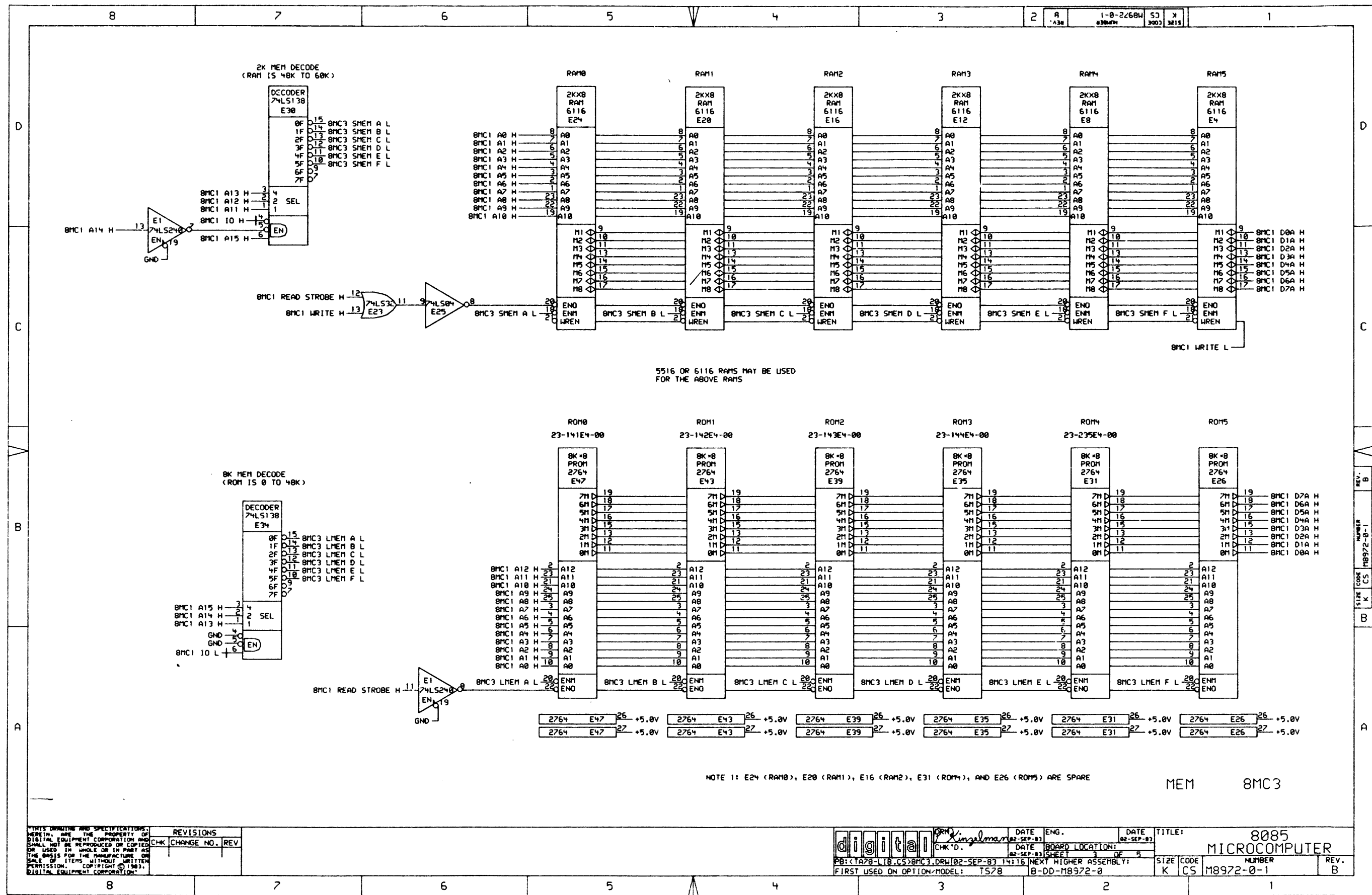


REG DECODE BMC2

REVISIONS	
CHK	CHANGE NO. REV

digital	DATE: 21-MAR-83	DATE: 21-MAR-83	TITLE: 8085 MICROCOMPUTER
CHK: P BOSSMAN	DATE: 21-MAR-83	BOARD LOCATION: 2	SHEET: 2 OF 5
PB: <TA78-LIB.CS>BMC2.DRW1	21-MAR-83 15:34	NEXT HIGHER ASSEMBLY: B-DD-M8972-0	SIZE CODE: K CS
FIRST USED ON OPTION/MODEL: T578			NUMBER: M8972-0-1
			REV: B





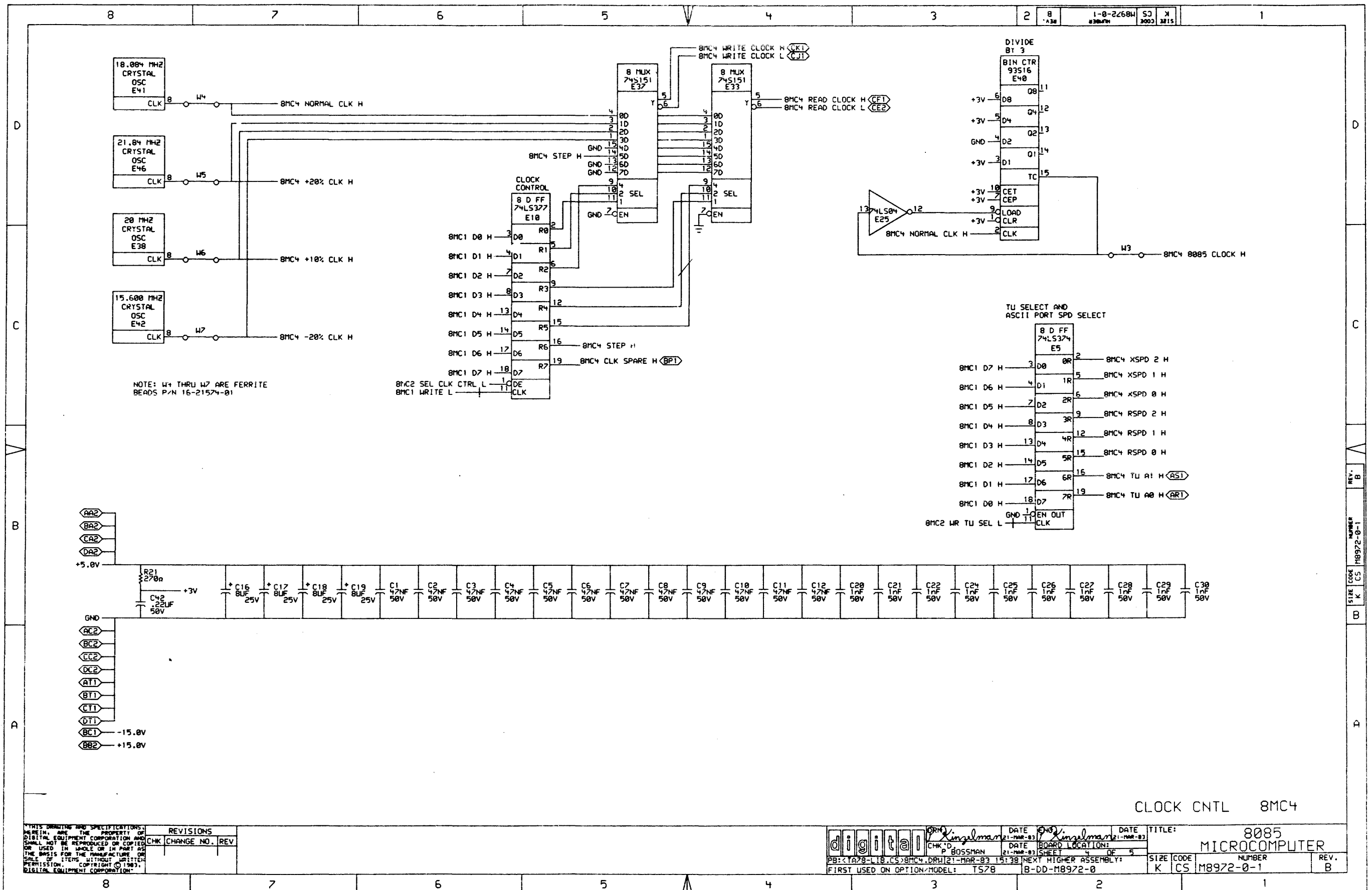
REV. B  
NUMBER M8972-0-1  
SIZE CODE CS  
K

THIS DRAWING AND SPECIFICATIONS HEREIN ARE THE PROPERTY OF DIGITAL EQUIPMENT CORPORATION AND SHALL NOT BE REPRODUCED OR COPIED OR USED IN WHOLE OR IN PART AS THE BASIS FOR THE MANUFACTURE OR SALE OF ITEMS WITHOUT WRITTEN PERMISSION. COPYRIGHT © 1983, DIGITAL EQUIPMENT CORPORATION.

REVISIONS	CMK	CHANGE NO.	REV.

DATE	ENG.	DATE	BOARD LOCATION:	TITLE:
02-SEP-83		02-SEP-83		8085 MICROCOMPUTER
02-SEP-83		02-SEP-83	SHEET 5	
FIRST USED ON OPTION/MODEL: TS78		NEXT HIGHER ASSEMBLY: B-DD-M8972-0		

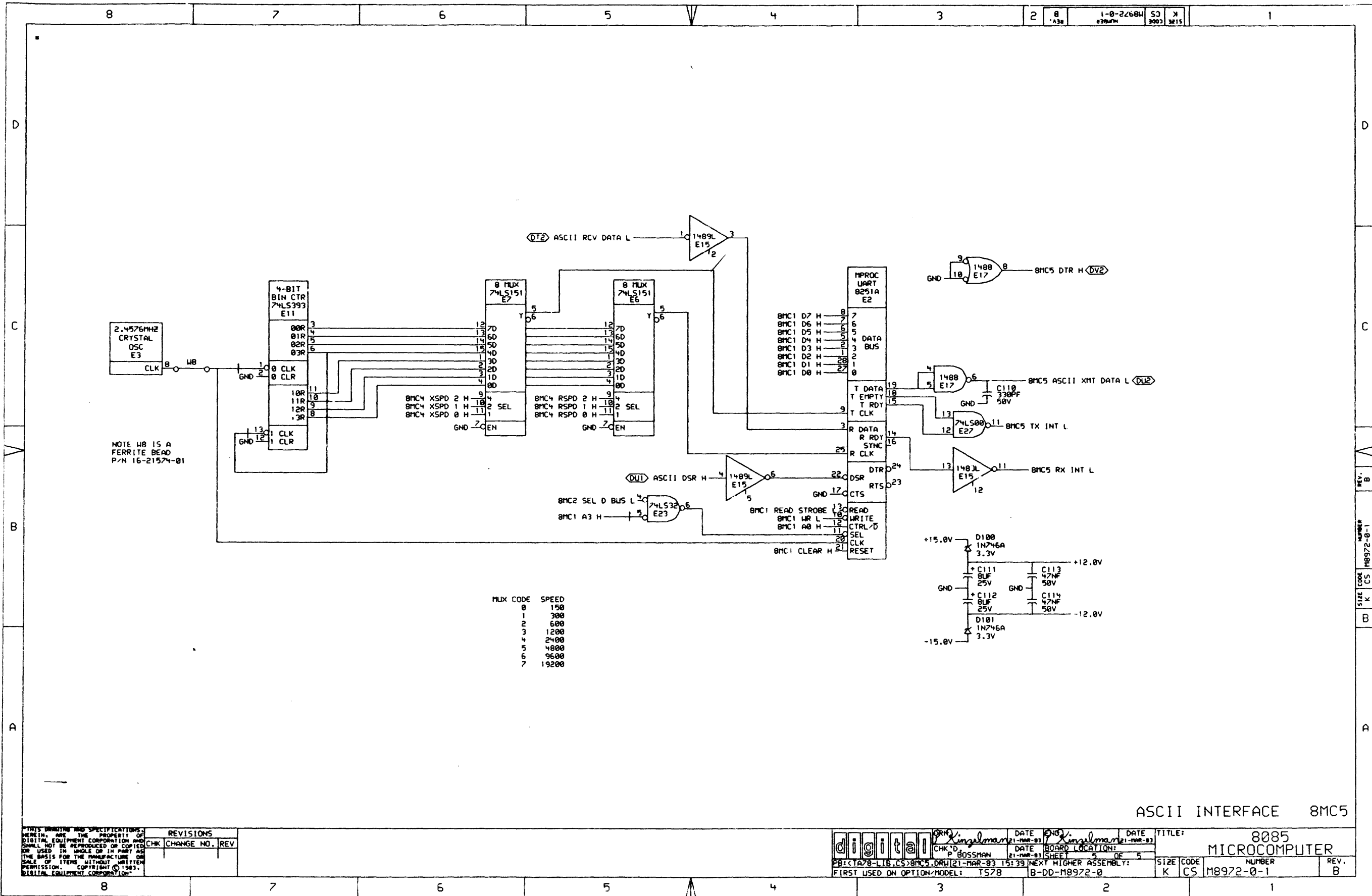
SIZE	CODE	NUMBER	REV.
K	CS	M8972-0-1	B



THIS DRAWING AND SPECIFICATIONS HEREIN ARE THE PROPERTY OF DIGITAL EQUIPMENT CORPORATION AND SHALL NOT BE REPRODUCED OR COPIED OR USED IN WHOLE OR IN PART AS THE BASIS FOR THE MANUFACTURE OR SALE OF ITEMS WITHOUT WRITTEN PERMISSION. COPYRIGHT © 1983, DIGITAL EQUIPMENT CORPORATION.

REVISIONS	
CHK	CHANGE NO. REV.

digital	DATE	21-MAR-83	DATE	21-MAR-83	TITLE:	8085 MICROCOMPUTER
	CHK'D	P. BOSSMAN	DATE	21-MAR-83	BOARD LOCATION:	4 DF 5
PB: <TA78-LIB.CS>8MC4.DRW		21-MAR-83 15:38	NEXT HIGHER ASSEMBLY:		SIZE CODE	NUMBER
FIRST USED ON OPTION/MODEL:		TS78	B-DD-M8972-0		K CS	M8972-0-1



ASCII INTERFACE 8MC5

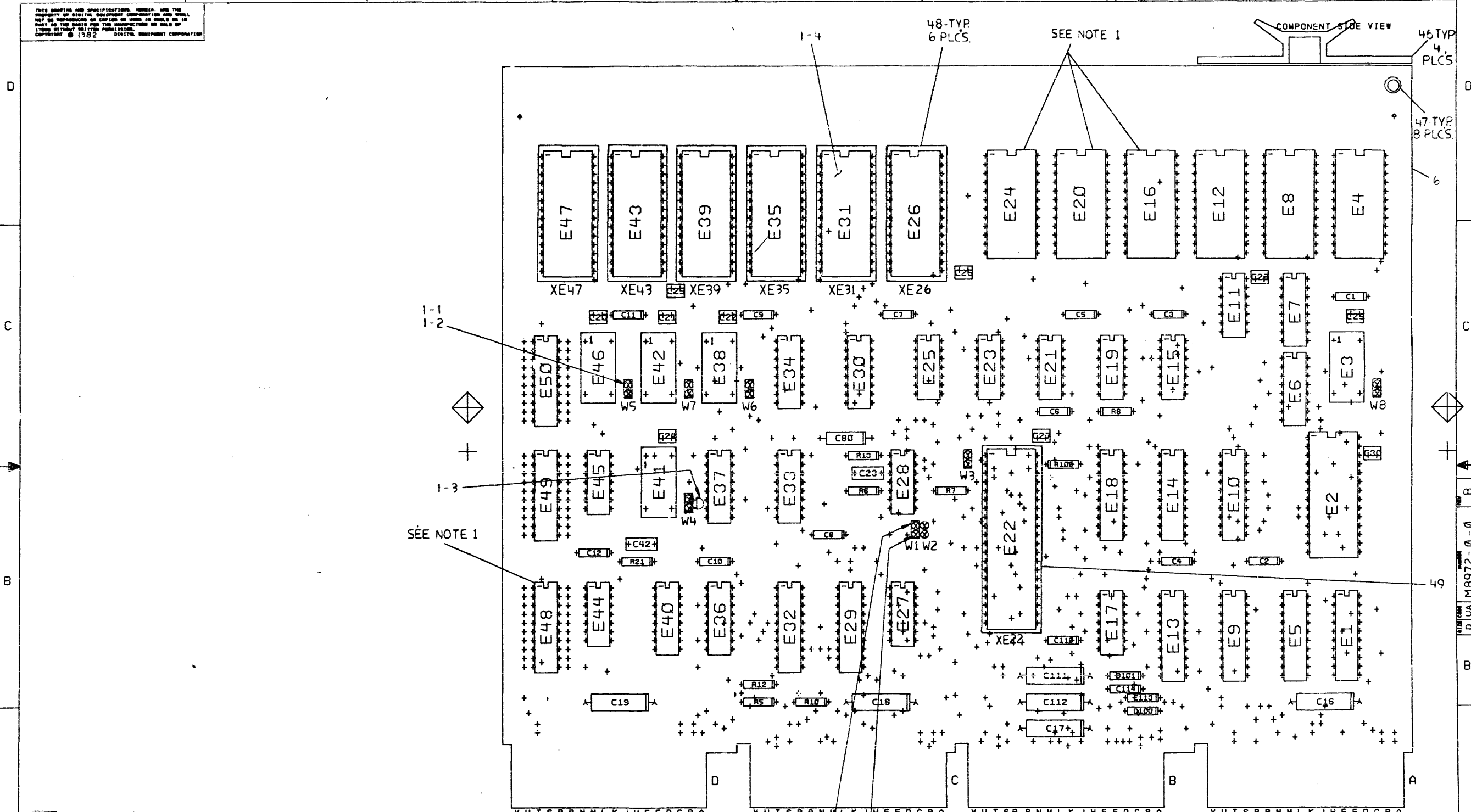
REVISIONS		
CHK	CHANGE NO.	REV

ORIG	DATE	ENGR	DATE	TITLE
KINZELMAN	21-MAR-83	KINZELMAN	21-MAR-83	8085 MICROCOMPUTER
CHK'D	DATE	BOARD LOCATION		
P BOSSMAN	21-MAR-83	5 OF 5		
PB: <TA78-LIB.CS>8MC5.DRW		NEXT HIGHER ASSEMBLY:		SIZE CODE
FIRST USED ON OPTION MODEL: TS78		B-DD-M8972-0		K CS M8972-0-1

SIZE	CODE	NUMBER	REV.
K	CS	M8972-0-1	B

THIS DRAWING AND SPECIFICATIONS, HEREIN, AND THE PROPERTY OF DIGITAL EQUIPMENT CORPORATION AND SHALL BE KEPT IN CONFIDENCE OR FORCED ON SALE OR IN PART OF THE DRAWING FOR THE MANUFACTURE OR SALE OF ITEMS EXCEPT BY LETTER FROM DIGITAL EQUIPMENT CORPORATION. COPYRIGHT © 1982 DIGITAL EQUIPMENT CORPORATION

8 7 6 5 4 3 2 1  
 0-0-2168W 2



NOTES: 1. E16, E20, E24, E48, E49 AND E50 ARE SPARE I.C. LOCATIONS.  
 2. DO NOT INSTALL E26

STEP E	+ Y AXIS	STEP	TIMES
REPEAT	+ X AXIS	STEP	TIMES

CHANGE NO	REV
CL	B
18972-	
SH001	
2/2/82	
CHRISTIAN	

ETCH REV.	C
-----------	---

SIGNATURES	DATE	digital
DRN. D. DINGELDEIN	31 AUG 82	
CHK'D. P. B...	4 OCT 82	
MECH. ENG. ...	20 DEC 82	TITLE 8085
PROJ. ENG. ...	20 DEC 82	MICROCOMPUTER
PROD. ...	31 DEC 82	
SCALE 2/1	SIZE CODE	NUMBER
SHT. 1 OF 2	0 UA	M8972-0-0
NEXT HIGHER ASSY. B-DD-M8972-0		REV B

0 UA M8972-0-0

8

8 0-0-268W UA 8001 275

6

5

4

3

2

1

THIS DRAWING AND THE SPECIFICATIONS CONTAINED HEREIN ARE CONFIDENTIAL AND PROPRIETARY. THEY ARE THE PROPERTY OF DIGITAL EQUIPMENT CORPORATION AND SHALL NOT BE REPRODUCED, COPIED, OR USED IN WHOLE OR IN PART AS THE BASIS FOR THE MANUFACTURE OR SALE OF ITEMS WITHOUT WRITTEN PERMISSION. THIS IS AN UNPUBLISHED WORK PROTECTED UNDER THE FEDERAL COPYRIGHT LAWS.

REWORK INSTRUCTIONS:

ECO #1, SIDE 1:

COMPONENT DELETES:

- 1-1. DELETE W4-W8 P/N 1214314-00 QTY 5.
- 1-2. DELETE 10 WIRE WRAP PINS, P/N 9009149-00 AT W4-W8 LOCATIONS.

COMPONENT ADDS:

- 1-3. ADD FERRITE BEADS W4-W8 P/N 1621574-01.
- 1-4. ADD P/N 23235E4-00 IN E31 LOCATION.

D

C

B

A

D

C

B

A

8 0-0-268W UA 8001 275

REVISION HISTORY		
REV	ECO NUMBER	DATE

TITLE  
8085 MICROCOMPUTER

DOCUMENT NUMBER		
SIZE CODE	NUMBER	REV
D UA	M8972-0-0	B
SCALE	SHEET 2 of 2	

DRD:37C  
ENCLOSURE 16-REV A/D96

8

7

6

5

4

4

3

2

SHO

1

LINE	ITEM	DOCUMENT NUMBER	PART NUMBER	DESCRIPTION	QTY PER VARIATION	REFERENCE DESIGNATOR
1	6	D-MD-5015122-0-0	5015122-00	DRILL AND ETCH BRD	1	
2	7		1012784-00	.047 MFD 50V +80-20% CER	14	C1-C12,C113,C114
3	8		1010274-01	.22 MFD 50V +80-20% Z5U CER	2	C23,C42
4	9		1012084-01	8 MFD 25V +75-10% AL EL	6	C16-C19,C111,C112
5	10		1013466-18	330.0 MMF 50V 5% CER	1	C110
6	11		1001776-00	1 MFD 35V 10% S.TANT	1	C80
7	12		1104860-00	VZ= 3.3 5% 400 MW 1N746A	2	D100,D101
8	13		1912844-00	LS151 MUX 1 OF 8 & DATA	2	E6,E7
9	14		1300295-00	330.0 .25 W 5.0 % CF	1	R100
10	15		1300365-00	1.0 K .25 W 5.0 % CF	7	R5-R8,R10,R12,R13
11	16		1301972-00	270.0 .25 W 5.0 % CF	1	R21
12	17		1811660-00	OSCILLATOR, XTAL 20.000 MHZ	1	E38
13	18		1811660-03	OSCILLATOR, XTAL 15.600 MHZ	1	E42
14	19		1811660-07	OSCILLATOR, XTAL 21.840 MHZ	1	E46
15	20		1811660-17	OSCILLATOR, XTAL 2.4576 MHZ	1	E3
16	21		1811660-24	OSCILLATOR, XTAL 18.084 MHZ	1	E41
17	22		1910322-00	DEC 1488L DRIVER,LINE,QUAD,EI	1	E17
18	23		1910323-00	DEC 1489L RECEIVER,LINE,QUAD,	1	E15
19	24		1910956-00	74S151 MUX 1 OF 8	2	E33,E37
20	25		1912799-00	LS00 NAND-GATE-QUAD 2IN,P	3	E21,E45,E27
21	26		1912803-00	LS04 INVERTER GATE,HEX	1	E25
22	27		1912810-00	LS20 NAND GATE-DUAL 4IN	1	E19
23	28		1912816-00	LS32 OR GATE-QUAD 2IN,POS	1	E23
24	29		1912824-00	LS74 FF-D DUAL,EDGE TRIGG	1	E44
25	30		1912842-00	LS138 DECODER-THREE INPUT,	2	E30,E34
26	31		1911676-00	74S139 DECODER-DUAL TWO-INP	1	E36
27	32		1912872-00	LS377 FF-D 8BIT W/ENABLE	1	E10
28	33		1913294-00	93S16 COUNTER,SYNCH UP BI'	1	E40
29	34		1913414-00	LS14 INVERTER GATE-HEX SC	1	E28
30	35		1913670-00	74S373 LATCH,8BIT TRANS TRI	1	E29

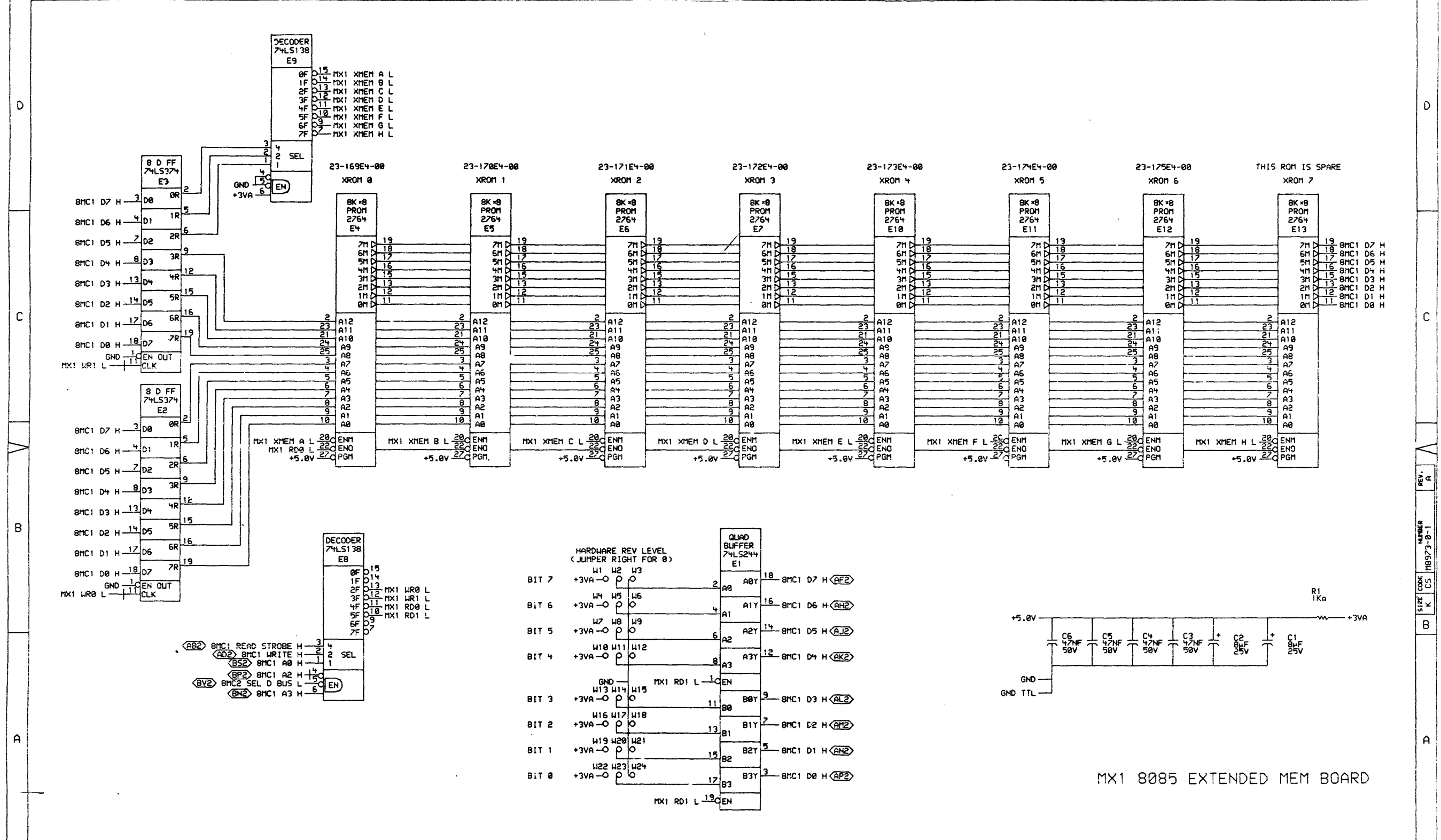
REVISION HISTORY		BASIC PART NO: M8972		DRN:	C. LIVERATOS	DATE:	14-AUG-81	D I G I T A L			
ENG:	ECO NUMBER	REV	SECTION A OF A	CHK'D:	P.BOSSMAN	DATE:	21-SEP-82	TITLE PARTS LIST			
P.K:	INITIAL	A	SECTION VARIATION INDEX	DES.ENG:	P.KINZELMAN	DATE:	21-AUG-82	8085 MICRO COMPUTER			
M.C:	M8972-SH001	B	[A] 00	RESP.ENG.:	M.D.CHRISTMAN	DATE:	21-AUG-82	DOCUMENT NUMBER			
			[B]	MFG.ENG.:	D.SWIFT	DATE:	20-AUG-82	SIZE	CODE	NUMBER	REV
			[C]	ASSEMBLY NUMBER:	D-UA-M8972-0-0	TOP DOCUMENT NUMBER:	#B-DD-M8972-0	K	PL	M8972-0-DBP	B
			[D]	FILE NAME:	Z2771B.PLS	EDIT #:	28				
			[E]								
			[F]								
			[H]								
			[J]								
			[K]								
			[L]								
			[M]								
			[N]								

"THIS DRAWING AND SPECIFICATIONS HEREIN, ARE THE PROPERTY OF DIGITAL EQUIPMENT CORPORATION AND SHALL NOT BE REPRODUCED OR COPIED OR USED IN WHOLE OR IN PART AS THE BASIS FOR THE MANUFACTURE OR SALE OF ITEMS WITHOUT WRITTEN PERMISSION. COPYRIGHT (C) 1983. DIGITAL EQUIPMENT CORPORATION "

LINE	ITEM	DOCUMENT NUMBER	PART NUMBER	DESCRIPTION	QTY PER VARIATION 00	REFERENCE DESIGNATOR
31	36		1913777-00	LS240 DRIVER,LINE,OCTAL,T	1	E1
32	37		1914214-00	LS374 FF-D OCTAL EDGE TRIG	2	E5,E32
33	38		1914451-00	LS393 COUNTER,BINARY,4BIT	1	E11
34	39		1915193-00	LS244 DRIVER,LINE,OCTAL,T	2	E9,E13
35	40		1915218-00	LS245 TRANSCEIVER,BUS,OCT	2	E14,E18
36	41		2113107-01	P 8251A PUSART COMM. INTERFA	1	E2
37	42		2114963-00	UP,8-BIT NMOS	1	E22
38	43		2117872-01	RAM 2KX8 I/O MUXD 25	3	E4,E8,E12
39	44		1214314-00	CONN,P+S 02SKT(1X02).100CC JUM	2	W1,W3
40	45		23144E4-00	E4-06	1	E35
41	46		9008337-06	HANDLE, FLIP CHIP, MAGENTA	4	
42	47		9006732-00	EYELET,ROLLED 0.1210DX0.219	8	
43	48		1215006-07	SKT,IC 28PIN DIP TIN SOLD	6	XE26,XE31,XE35,XE39,XE43,XE47
44	49		1215006-08	SKT,IC 40PIN DIP TIN SOLD	1	XE22
45	50		9009149-00	PIN,STAKNG 0.0250DX0.345LG SQUAR	6	
46	51		1011740-05	1000.0 MMF 50V 10% CER	10	C20-C22,C24-C30
47	52		23143E4-00	E4-06	1	E39
48	53		23142E4-00	E4-06	1	E43
49	54		23141E4-00	E4-06	1	E47
50	55		1621574-01	BEAD,FERRITE	5	W4-W8
51	56		23235E4-00	E4-06	1	E31

52 NOTE: THIS ASSEMBLY CONTAINS ITEMS SENSITIVE TO ELECTROSTATIC DISCHARGE.  
 53 NOTE: MAINTAIN PROCEDURES PER DEC STANDARD 067.  
 54 NOTE: W4 THRU W8 ARE FERRITE BEADS (P/N 1621574-01).

D	I	G	I	T	A	L	TITLE	8085 MICRO COMPUTER	SECTION A	OF A	SIZE	CODE	DOCUMENT NUMBER	REV
											K	PL	M8972-0-DBP	B

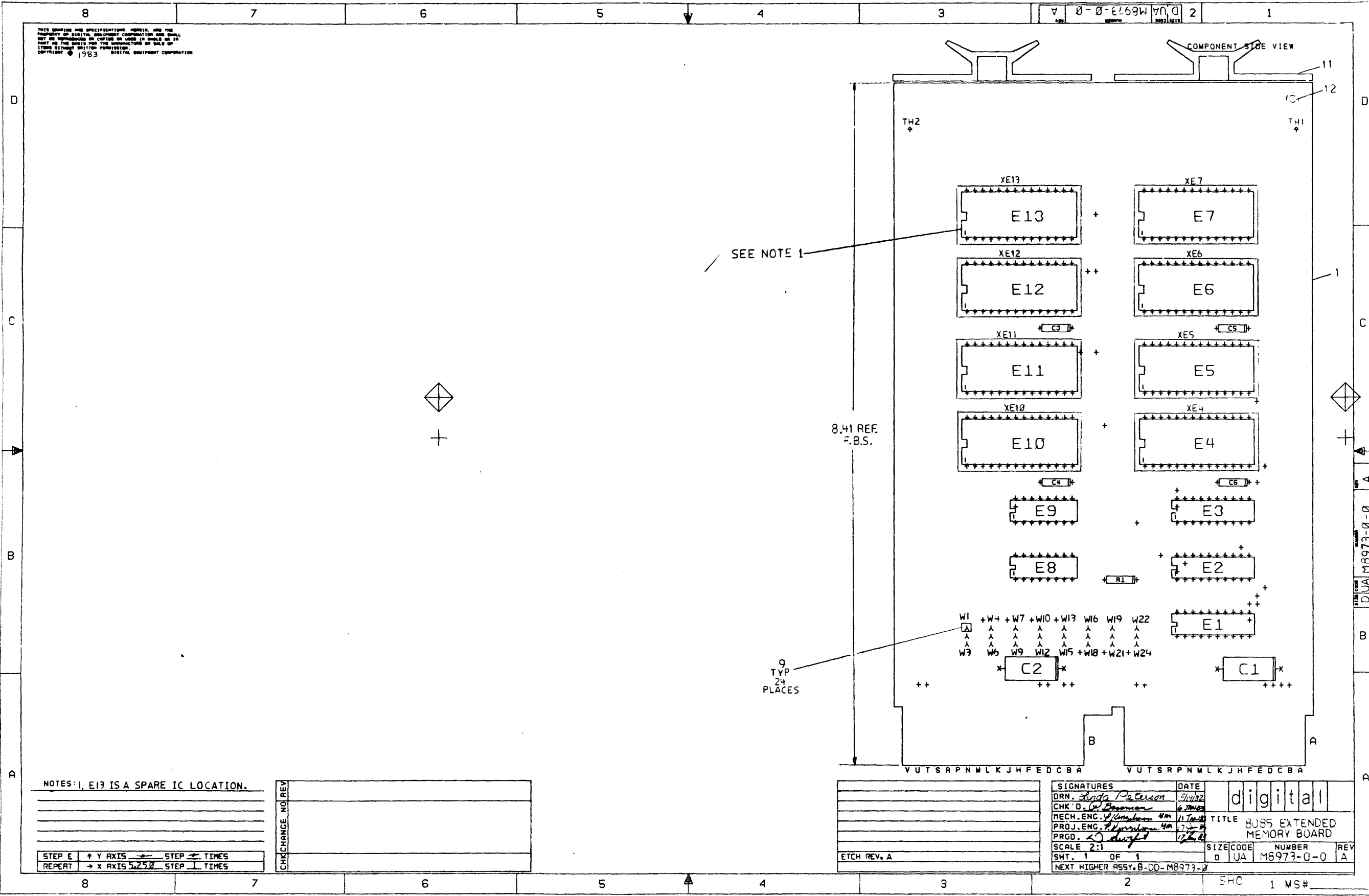


MX1 8085 EXTENDED MEM BOARD



THIS DRAWING AND SPECIFICATIONS, HEREIN, ARE THE PROPERTY OF DIGITAL EQUIPMENT CORPORATION AND SHALL NOT BE REPRODUCED OR COPIED IN WHOLE OR IN PART OR IN ANY MANNER FOR THE MANUFACTURE OR SALE OF ITEMS WITHOUT WRITTEN PERMISSION.  
 COPYRIGHT © 1983 DIGITAL EQUIPMENT CORPORATION

0-0-8169W 700 2



NOTES: 1. E13 IS A SPARE IC LOCATION.

CHG	NO	REV

STEP	E	+ Y AXIS	←	STEP	TIMES
REPEAT	→	X AXIS	5.25W	STEP	1 TIMES

ETCH REV. A

SIGNATURES		DATE	TITLE
DRN. <i>Linda Peterson</i>		7/1/82	
CHK'D. <i>G. Bauman</i>		6/21/82	
MECH. ENG. <i>P. Morrison</i>	4M	11/2/82	
PROJ. ENG. <i>P. Morrison</i>	4M	7/2/82	
PRGD. <i>L. Smith</i>		12/2/81	
SCALE 2:1	SHT. 1 OF 1	SIZE CODE	NUMBER
		D   UA	M8973-0-0
			REV A

DUA M8973-0-0

SHT. 1 MS#

AUTOMATED BY PRTLST.4Q(47)

PARTS LIST

SHEET A1 OF A1

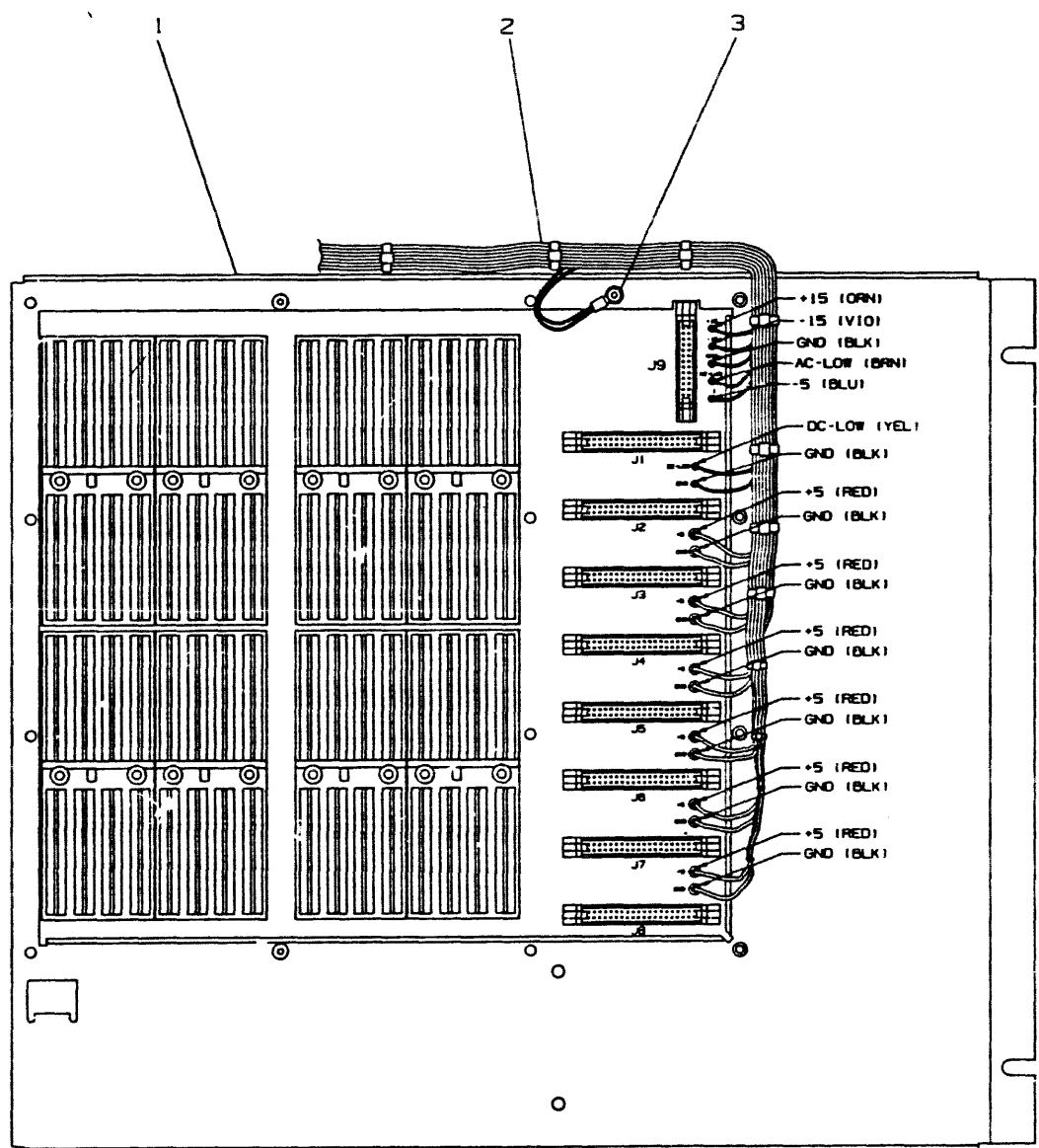
LINE	ITEM	DOCUMENT NUMBER	PART NUMBER	DESCRIPTION	QTY PER VARIATION 00	REFERENCE DESIGNATOR
1	1	D-MD-5015648-0-0	5015648-00	CIRCUIT DRILL AND ETCH	1	
2	2		1012084-01	8 MFD 25V +75-10% AL EL	2	C1,C2
3	3		1012784-00	.047 MFD 50V +80-20% CER	4	C3-C6
4	5		1300365-00	1.0 K .25 W 5.0 % CF	1	R1
5	6		1912842-00	LS138 DECODER-THREE INPUT,	2	E8,E9
6	7		1914214-00	LS374 FF-D OCTAL EDGE TRIG	2	E2,E3
7	8		1915193-00	LS244 DRIVER,LINE,OCTAL,T	1	E1
8	9		9009149-00	PIN,STAKNG 0.0250DX0.345LG SQUAR	24	W1-W24
9	11		9008337-06	HANDLE, FLIP CHIP, MAGENTA	2	
10	12		9006732-00	EYELET,ROLLED 0.1210DX0.219	4	
11	13		23169E4-00	E4-06	1	E4
12	14		23170E4-00	E4-06	1	E5
13	15		23171E4-00	E4-06	1	E6
14	16		23172E4-00	E4-06	1	E7
15	17		23173E4-00	E4-06	1	E10
16	18		23174E4-00	E4-06	1	E11
17	19		23175E4-00	E4-06	1	E12
18	20		1215006-07	SKT,IC 28PIN DIP TIN SOLD	8	XE4-XE7,XE10-XE13

REVISION HISTORY		BASIC PART NO: M8973		DRN: P.KINZELMAN	DATE: 06-OCT-82	D I G I T A L			
ENG:	ECO NUMBER	REV	SECTION A OF A	CHK'D: P.BOSSMAN	DATE: 06-OCT-82	TITLE PARTS LIST			
P.K:	INITIAL	A	SECTION VARIATION INDEX	DES.ENG: P.KINZELMAN	DATE: 06-OCT-82	8085 EXTENDED MEMORY BOARD			
			[A] 00	RESP.ENG.: D.CHRISTMAN	DATE: 06-OCT-82	DOCUMENT NUMBER			
			[B]	MFG.ENG.: DOUG SWIFT	DATE: 06-OCT-82	SIZE	CODE	NUMBER	REV
			[C]	ASSEMBLY NUMBER:	TOP DOCUMENT NUMBER:	K	PL	M8973-0-DBP	A
			[D]	D-UA-M8973-0-0	#B-DD-M8973-0			Z5290A.PLS	10
			[E]						
			[F]						
			[H]						
			[J]						
			[K]						
			[L]						
			[M]						
			[N]						

"THIS DRAWING AND SPECIFICATIONS HEREIN, ARE THE PROPERTY OF DIGITAL EQUIPMENT CORPORATION AND SHALL NOT BE REPRODUCED OR COPIED OR USED IN WHOLE OR IN PART AS THE BASIS FOR THE MANUFACTURE OR SALE OF ITEMS WITHOUT WRITTEN PERMISSION. COPYRIGHT (C) 1983. DIGITAL EQUIPMENT CORPORATION "

THIS DRAWING AND SPECIFICATIONS, CONTAINING THE NAME OF DIGITAL EQUIPMENT CORPORATION ARE HEREBY APPROVED BY COPY TO BE USED IN WHOLE OR IN PART AS THE BASIS FOR THE MANUFACTURE OF THIS PRODUCT WITHOUT WRITTEN PERMISSION.  
 COPYRIGHT © 1964 DIGITAL EQUIPMENT CORPORATION

LEGEND		
PART NO.	REV	VARIATION
7020415-01	A1	AS SHOWN



CAUTION  
 OFF SHEET PARTS LIST EXISTS  
 SEE K-PL-7020415-0-DBP

REVISED BY: INITIALS  
 DATE: \_\_\_\_\_

DESCRIPTION	DRAWING NO.	PART NO.
UNLESS OTHERWISE SPECIFIED DIMENSIONS ARE IN INCHES AND THE FOLLOWING TOLERANCES APPLY (PER DEC STD 114)		
	DIMENSION RANGE IN INCHES	
LESS THAN 1.00	1.00 TO 4.00	4.00 TO 8.00
±0.005	±0.010	±0.020
DIMENSION RANGE IN MILLIMETERS		
LESS THAN 25.40	25.40 TO 101.60	101.60 TO 254.00
±0.127	±0.254	±0.508

QUANTITY & VARIATION	DATE	BY	CHK
E-1A-7020415-0-DBU	11/70	M.A. OLSEN	11/70
		M.A. CHRISTMAN	11/70
		M.A. OLSEN	11/70
		M.A. CHRISTMAN	11/70
		TON CLARK	11/70
		E-1A-7020415-0-DBU	11/70

DO NOT SCALE DRAWING  
 REMOVE BURRS AND BREAK SHARP CORNERS  
 SEE PARTS LIST  
 FIRST NAME

TITLE  
 WIRED & HARNESS ASSEMBLY

DOCUMENT NUMBER  
 E-1A-7020415-0-DBU A

AUTOMATED BY PR1LST.5R(55)

P A R T S L I S T

SHEET A1 OF A1

LINE	ITEM	TOP DOCUMENT	PART NUMBER	MIN REV	DESCRIPTION	QTY PER VARIATION
1	1	E-IA-7020414-0-DBU	7020414-01		WIRED ASSEMBLY	1
2	2	E-IA-7017139-0-0	7017139-00		HARNESS POWER TM78	1
3	3		9006560-00		NUT,HEX EXT TOOTH LCKWSHR 6-32	1

REVISION HISTORY		BASIC PART NO: 7020415		IDRN:	H.A.OLSON	DATE: 20-MAR-84	D I G I T A L			
ENG	ECC NUMBER	REV	SECTION A OF A	CHK'D:	M.A.CHRISTMAN	DATE: 20-MAR-84	TITLE PARTS LIST			
	INITIAL	A	SECTION.VARIATION INDEX				WIRED & HARNESS ASSEMBLY			
			CAJ01				DOCUMENT NUMBER			
			[B]	DES.ENG:	H.A.OLSON	DATE: 20-MAR-84	SIZE	CODE	NUMBER	REV
			[C]							
			[D]	RESP.ENG.:	M.A.CHRISTMAN	DATE: 20-MAR-84	K	PL	7020415-0-DBP	A
			[E]							
			[F]	MPG.ENG.:	THOM CLARK	DATE: 20-MAR-84	RELEASE DATE: 13-APR-84			
				ASSEMBLY NUMBER:		TOP DOCUMENT NUMBER:	FILE NAME:	EDIT #		
				E-IA-7020415-0-DBU		E-UA-TS78-0-DBU	Z5928A.PLS	2		

"THIS DRAWING AND THE SPECIFICATIONS CONTAINED HEREIN ARE CONFIDENTIAL AND PROPRIETARY. THEY ARE THE PROPERTY OF DIGITAL EQUIPMENT CORPORATION AND SHALL NOT BE REPRODUCED OR COPIED OR USED IN WHOLE OR IN PART AS THE BASIS FOR THE MANUFACTURE OR SALE OF ITEMS WITHOUT WRITTEN PERMISSION. THIS IS AN UNPUBLISHED WORK PROTECTED UNDER THE FEDERAL COPYRIGHT LAWS."

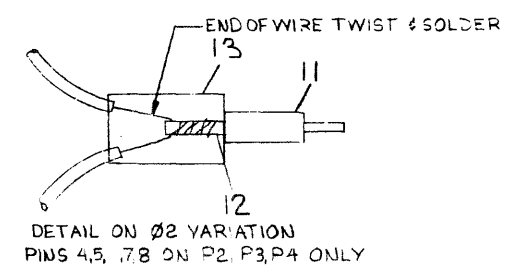
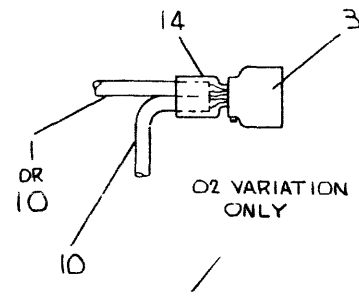
SHO

THIS DRAWING AND SPECIFICATIONS HEREIN ARE THE PROPERTY OF DIGITAL EQUIPMENT CORPORATION AND SHALL NOT BE REPRODUCED OR COPIED OR USED IN WHOLE OR IN PART AS THE BASIS FOR THE MANUFACTURE OR SALE OF ITEMS WITHOUT WRITTEN PERMISSION. COPYRIGHT © 1983 DIGITAL EQUIPMENT CORPORATION.

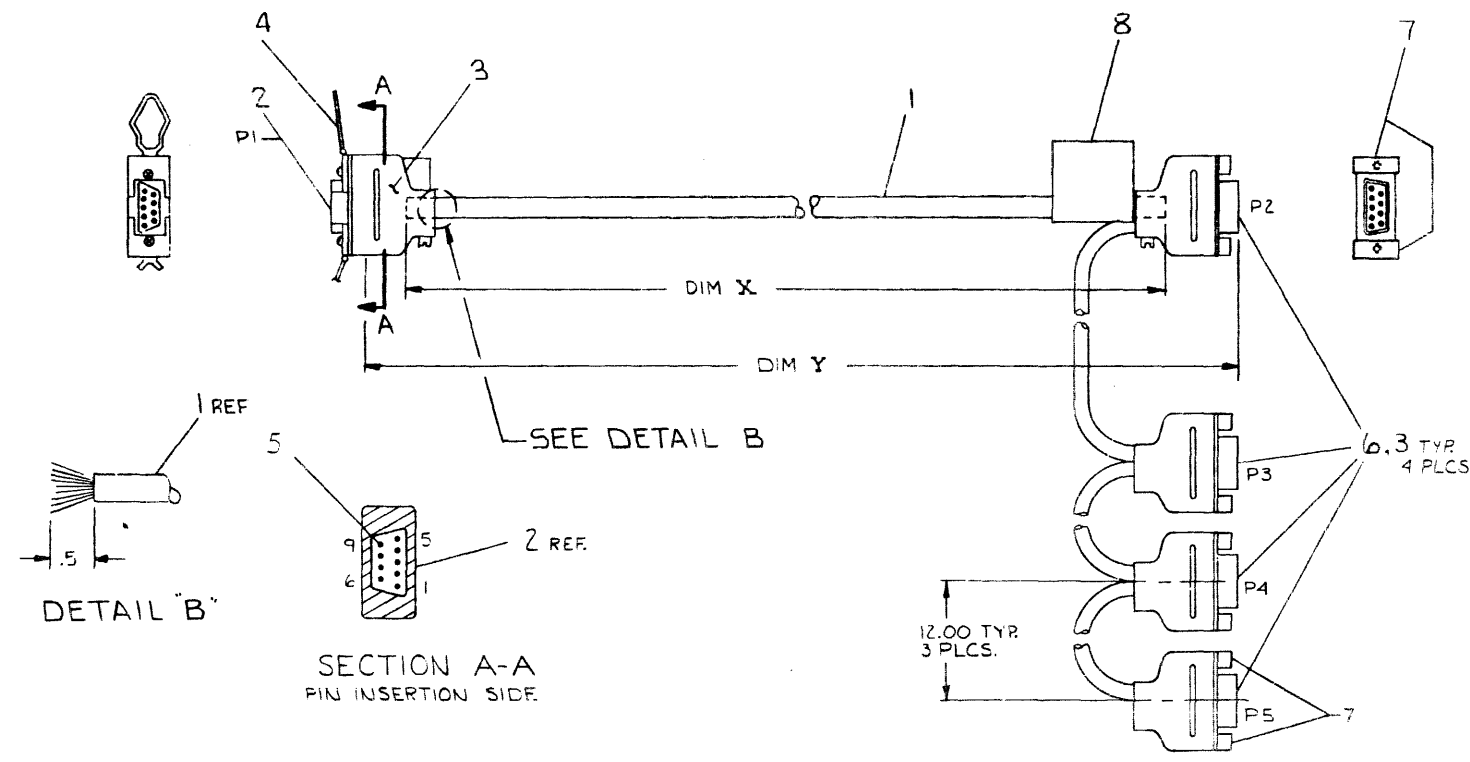
WIRE TABLE							
ITEM NO.	AWG	COLOR	CONN	WITH	CONN	WITH	SIGNAL NAMES
1	24	RED	P1-1	ITEM 5	P2-1	ITEM 6	JOY +V
		BLK	P1-2		P2-2		JOY -V
		BLU	P1-4		P2-4		JOY X
		ORN	P1-5		P2-5		JOY Y
		SHIELD	P1-6		P2-6		GND
		WHT	P1-7		P2-7		SW SUP
10	22	GRN	P1-8		P2-8		SW RTN
		BLK	P2-4		P3-4		JOY X
		RED	P2-5		P3-5		JOY Y
		WHT	P2-7		P3-7		SW SUP
		GRN	P2-8		P3-8		SW RTN
		BLK	P3-4		P4-4		JOY X
		RED	P3-5		P4-5		JOY Y
		WHT	P3-7		P4-7		SW SUP
		GRN	P3-8		P4-8		SW RTN
		BLK	P4-4		P5-4		JOY X
		RED	P4-5		P5-5		JOY Y
		WHT	P4-7		P5-7		SW SUP
10	22	GRN	P4-8	ITEM 5	P5-8	ITEM 6	SW RTN

LEGEND		
NUMBER	DIM X	DIM Y
7019475-01	50 FT Ø IN	50 FT 2 IN ± 1 IN
7019475-02	50 FT Ø IN	50 FT 2 IN ± 1 IN

NOTES:  
1. ITEM 9 IS USED TO INSULATE SHIELD (DRAIN WIRE) OF ITEM 1 BOTH ENDS.



SEE NOTE 1



SEE OFF SHEET PARTS LIST  
K-PL-7019475-0-DBP

7019475-02 7019475-01	DESCRIPTION	DRAWING NO.	PART NO.	ITEM NO.
	UNLESS OTHERWISE SPECIFIED DIMENSIONS ARE IN INCHES AND THE FOLLOWING TOLERANCES APPLY (PER DEC STD 114)			
QUANTITY & VARIATION	INCHES TOLERANCES	ANGLES ± 0° 30'	APPLICABLE DIMENSION RANGE	
	X = ± .1 XX = ± .02 XXX = ± .005	SURFACE QUALITY	(CHECK ONE)	DIMENSION RANGE IN INCHES
THIRD ANGLE PROJECTION	DATE 17-JAN-83	DATE 13-MAY-83	DATE 13-MAY-83	DATE
DO NOT SCALE DRAWING	REMOVE BURRS AND BREAK SHARP CORNERS	MATERIAL	FINISH	TOP DOC NO. 0-JA-VS11 0-0
TITLE		DOCUMENT NUMBER		
CABLE, JOYSTICK		DIA 7019475-0-0 A		
SCALE		SHEET 1 OF 1		

REV	ECO NUMBER	DATE

DIA 7019475-0-0 A

LINE	ITEM	DOCUMENT NUMBER	PART NUMBER	DESCRIPTION	QUANTITY PER VARIATION	
					01	02
1	1	SEE NOTE 15	9107733-00	CABLE,RND 06COND 24AWG BRAIDSHL	50	50
2	2		1211244-01	CONN,D SUB 9SKT HSG	1	1
3	3		1211245-01	CONN,D SUB 9POS HOOD STRAIGHT P	2	5
4	4		1212702-00	CONN,D SUB SPRING LATCH ASSY	1	1
5	5		1212583-01	CONN,D SUB SKT CRIMP 18AWG	7	7
6	6		1210493-53	CONN,D SUB 9PIN HSG STRAIGHT	1	4
7	7		1221853-01	LATCH,SLIDE,ASSY	1	4
8	8		3616073-00	LABEL,ID W/COPY VERTICAL	1	1
9	9		9107278-11	TUBING,TEFLON .042ID	A/R	A/R
10	10	SEE NOTE 15	9107706-00	CABLE,RND 04COND 2AWG UNSHLDDED	0	4
11	11		1210493-39	CONN,D SUB PIN CRIMP 24-20AWG	7	28
12	12		9107560-01	WIRE,BUSS 22AWG TIN BARE	0	A/R
13	13		9107254-00	TUBING,SHRINK .187ID EXP	A/R	A/R
14	14		9107685-00	TUBING,SHRINK .500ID EXP	0	A/R

15 NOTE: QTY SPECIFIED IN FEET

REVISION HISTORY			BASIC PART NO: 7019475			D I G I T A L		
ENG	ECO NUMBER	REV	SECTION A OF A	DRN:	D. DIPERRI	DATE:	17-JAN-83	
	INITIAL	A	SECTION. VARIATION INDEX	CHK'D:	D. DIPERRI	DATE:	22-APR-83	TITLE PARTS LIST
			[A] 01,02					CABLE,JOYSTICK
			[B]	DES.ENG.:	J. PERKINS	DATE:	17-JAN-83	
			[C]	RESP.ENG.:	J. PERKINS	DATE:	22-APR-83	DOCUMENT NUMBER
			[D]			SIZE	CODE	NUMBER
			[E]	MFG.ENG.:	A. ELLIS	DATE:	22-APR-83	K PL 7019475-0-DBP
			[F]	ASSEMBLY NUMBER:		TOP DOCUMENT NUMBER:		FILE NAME: 9475.PLS
				D-IA-7019475-0-0				EDIT # 6
<p>*THIS DRAWING AND SPECIFICATIONS HEREIN, ARE THE PROPERTY OF DIGITAL EQUIPMENT CORPORATION AND SHALL NOT BE REPRODUCED OR COPIED OR USED IN WHOLE OR IN PART AS THE BASIS FOR THE MANUFACTURE OR SALE OF ITEMS WITHOUT WRITTEN PERMISSION. COPYRIGHT (C) 1983, DIGITAL EQUIPMENT CORPORATION *</p>								

NU

